

Cupola Data
 Overall Height = 16'
 Base Width = 4'
 Unit Weight = 300 lbs.

Optional Cupola Finials

36" Cross
 8"Ø Sphere

36" Aluminum Spire
 8"Ø Sphere

Weathervane selection at:
www.whitehallproducts.com

Optional Window Panels

304 Keystone

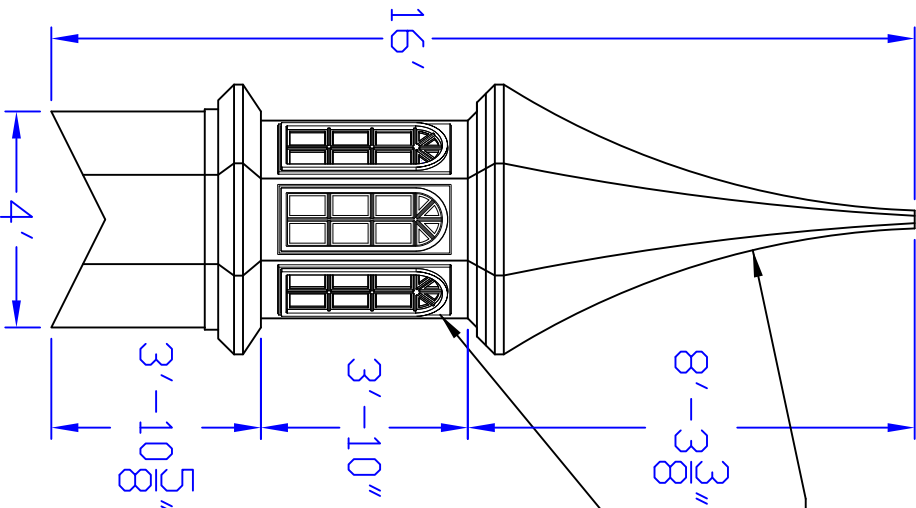
311 Squared

306 Round Top

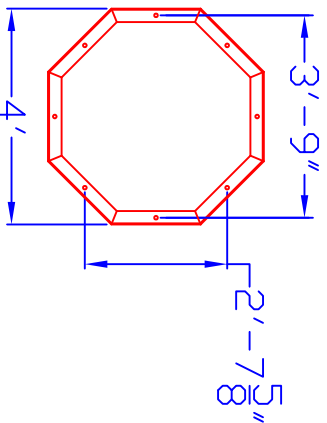
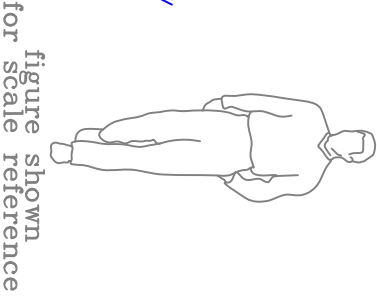
Note: Windows also available without panes.

Single Piece Fiberglass Shell

Base Panels: 700-W Comes Standard With 8 K-Glass Windows. See Above for Optional Window Designs.



Elevation View



Mounting Detail

Base Anchor Plate
 2" x3" x3/16" Steel Angle
 Sealed in FRP

Anchor Rods
 Supplied by others

Skeleton View

Note: All drawings are the property of Piedmont Fiberglass Inc. Dimensions and designs may be altered slightly to accommodate manufacturing.



P.O. Box 1089
 Taylorsville, NC 28681
 Phone: 828-632-8883 Fax: 828-632-5585
www.PiedmontFiberglass.com

Model: **CUPOLA**

700-W

Scale:
 Drawn by: JEM
 Created On 10/20/10
 Updated On 1/15/10