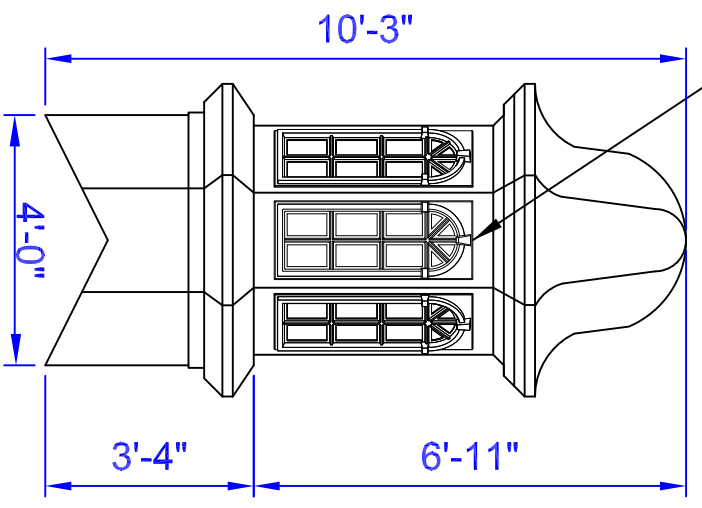


**Cupola Data**  
 Overall Height = 10'-3"  
 Base Width = 4'  
 Unit Weight = 275 lbs.

Base Panel: WR comes standard with 8 K-glass windows. See above for optional window designs.



**Elevation View**

Note: All drawings are the property of Piedmont Fiberglass. Dimensions & designs may be altered to accommodate manufacturing.

**Optional Window Panels**

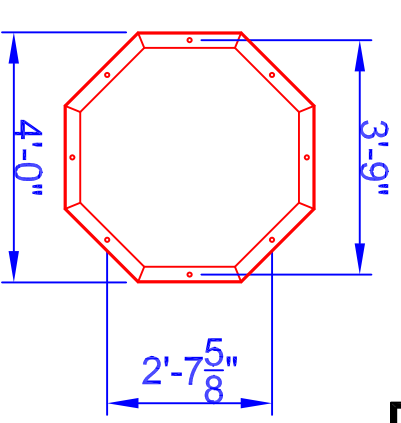
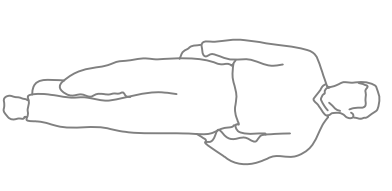
- 304** Keystone
- 311** Squared
- 306** Round Top

Note: Windows also available without panes.

**Optional Cupola Finials**

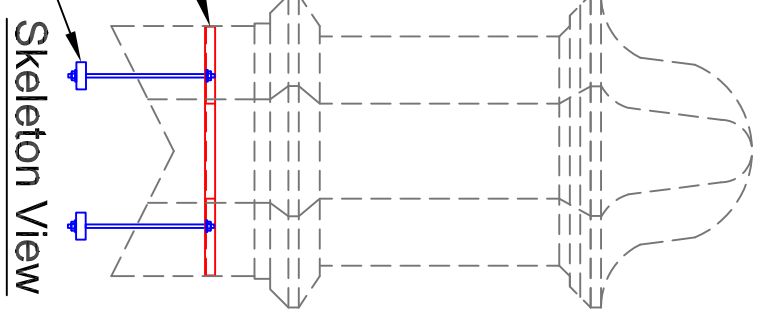
- 36" Cross
- 36" Aluminum Spire
- 8"Ø Sphere
- 8"Ø Sphere

Weatherane selection at:  
[www.whitehallproducts.com](http://www.whitehallproducts.com)

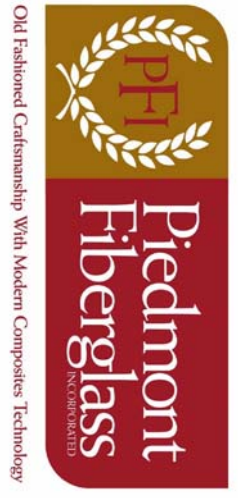


**Mounting Detail**

Base Anchor Plate  
 2" x 3" x 3/16" Steel Angle  
 Sealed in FRP  
 Anchor Rods  
 Supplied by Others



**Skeleton View**



**Piedmont Fiberglass Inc.**  
 PO Box 1089  
 Taylorsville, NC 28681  
 Phone: 828-632-8883  
 Fax: 828-632-5585  
[www.piedmontfiberglass.com](http://www.piedmontfiberglass.com)

**Cupola**  
 Model: **900-WR**

Scale: **scale**  
 Drawn By: **TJD/JEM**  
 Created On: **2/10/07**  
 Updated On: **12/03/10**

Old Fashioned Craftsmanship With Modern Composites Technology