

# IRD Series

## DVB-S2 HD IRD



## Outline XDR-DX3975

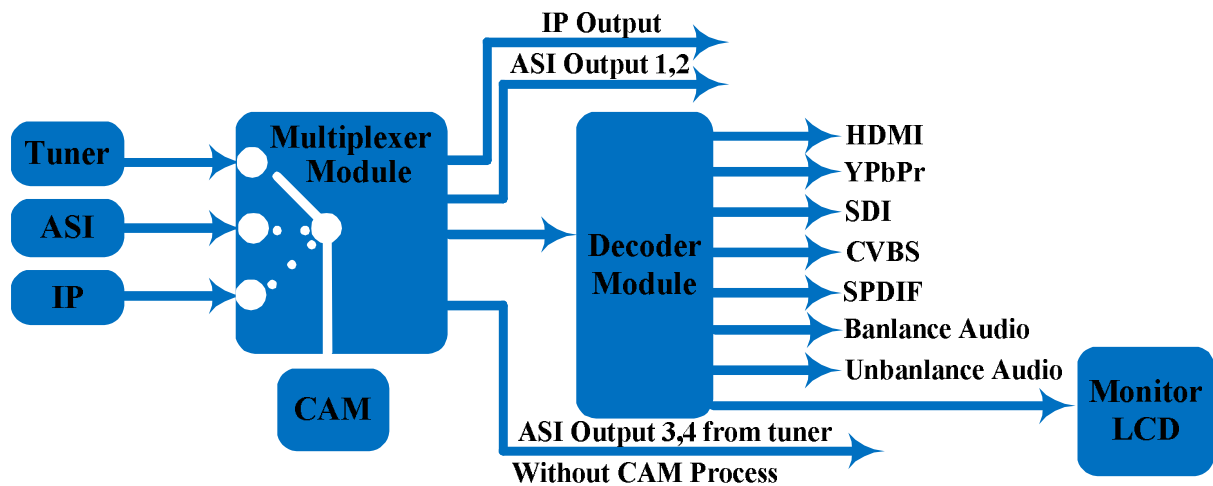
MEDIAMAT TYPE XDR-DX3975 DVB-S2 HD IRD is or new design IRD **with LCD video monitor equipped on the front panel.** It can receive signals from satellite,

ASI and IP sources. After multiplexing and de-encryption with CAM module, it gives content out through ASI, IP as well as various video/audio interfaces. Its video/audio outputs support professional HD/SD-SDI, YPbPr, HDMI, stereo balanced audio, stereo unbalanced audio and S/PDIF digital audio and CVBS, which can greatly satisfy the professional users' needs. With the CAM/CI slot equipped, NDS3975 supports signal de-scrambling and give transparent signal output. User can operate the device by using front panel LCD or NMS/SNMP software or Webpage-based NMS. Moreover, users can choose to have an optional ASI output which can pass through the encryption data source directly from tuner.

# IRD Series

## DVB-S2 HD IRD

### Principle Chart



### Features

- Support DVB-S2 tuner, IP, ASI Input at the same time optional
- Support LCD display for decoding video
- Support MPEG-2 & MPEG-4 video decoding
- Support AC3 pass through (for SDI interface only)
- Re-multiplexer embedded
- Support IP, ASI, Decoding output at the same time
- Support 8xSPTS and 1 IP MPTS output
- Support CAM/CI card insert
- Support BISS descrambling: Mode 1 and Mode E

# IRD Series

## DVB-S2 HD IRD

- Support CC (Closed Caption) – for SDI and CVBS interfaces
- Support Front Panel and NMS/SNMP network management and Web management

## Specifications

Input Interface	Tuner	1 DVB-S2 Tuner			
	ASI	1 ASI IN (support 188/204 package format)			
	IP	1 IP (100M, RJ45 Port) UDP, RTP/RTSP			
Demodulating Section	DVB-S	Frequency In	950-2150MHz		
		Symbol rate	1-45Msps		
		Signal Strength	- 65- -25dBm		
		Constellation	1/2, 2/3, 3/4, 5/6, 7/8 QPSK		
	DVB-S2 (Version 1)	Frequency In	950-2150MHz		
		Symbol rate	1~45 Msps		
		FEC	1/2, 3/5, 2/3, 3/4, 4/5, 5/6, 8/9, 9/10		
		Constellation	QPSK, 8PSK		
	DVB-S2 (Version 2)	Frequency In	950-2150MHz		
		FEC	1/2, 3/5, 2/3, 3/4, 4/5, 5/6, 8/9, 9/10		
		Symbol rate	Constellation	FEC	
			QPSK, 8PSK		1~45 Msps
			<b>16APSK</b>	2/3	
3/4					1~41 Msps
4/5					1~38 Msps

# IRD Series

## DVB-S2 HD IRD

				5/6	1~37 Msps
				8/9	1~35 Msps
				9/10	1~35 Msps
			<b>32APSK</b>	3/4	1~32 Msps
				4/5	1~31 Msps
				5/6	1~30 Msps
				8/9	1~28 Msps
				9/10	1~28 Msps
Output	ASI Output	2 ASI output (after multiplexer)			
		2 ASI output (tuner input pass through)			
	IP output	Protocol: UDP, RTP/RTSP			
		1 MPTS & 8 SPTS (100M)			
	Video Output	1xCVBS(BNC): 576i@25fps, 480i@29.97fps			
		1xYPbPr(BNC): 1080i@25, 29.97, 30fps; 720p@50, 59.94fps			
		1xHD/SD-SDI(BNC): 1080i@25, 29.97, 30fps; 720p@50, 59.94fps; 576i@25fps; 480i@29.97fps			
		1 x HDMI: 1080i@25, 29.97, 30fps; 720p@50, 59.94fps			
	Audio Output	Stereo unbalanced audio: BNC interface			
		Stereo balanced audio: XLR interface			
Digital audio: SPDIF					
Video Decoding	MPEG-2, MPEG-4				
Audio Decoding	MPEG1 layer 2, AC3, HE-AAC(v2), LC-AAC				

# IRD Series

## DVB-S2 HD IRD

BISS De-scr	Mode 1, Mode E	
NMS Port	Ethernet Port	10/100M
	Protocols	NMS: TCP/IP
System	Management: front panel (LCD + Keyboard); Network (NMS/SNMP); Web-based NMS Management	
	English and Chinese interface conversion	
	Ethernet port for CPU/FPGA upgrade USB port for decoder upgrade	
	LCD Monitor for decoding video	
Miscellaneous	Dimensions	482mm*455mm*44.5mm ( L×W×H)
	Approx weight	3.2kg
	Power	<20W(Max)
	Temperature	0~45°C(Operating), -20~80°C(Storage) <a href="mailto:info@mediamat.be">info@mediamat.be</a>