

S X ? ?

?

SERIES

CUT OUT

DRAWING

41

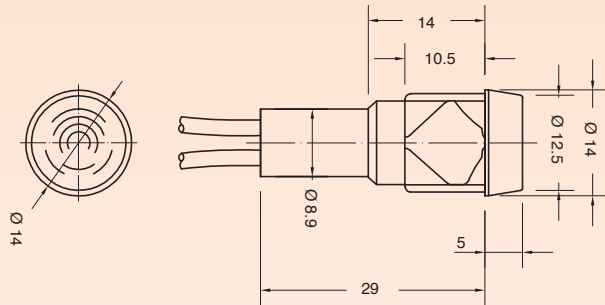


○
ø 12 mm
th 0.8 ... 2 mm

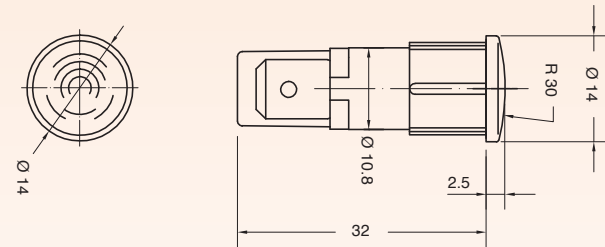


○
ø 12 mm
th 0.8 ... 2 mm

1



2

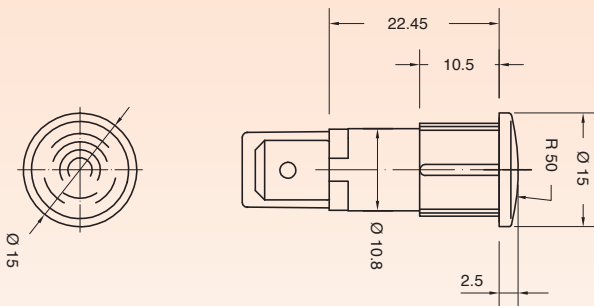


43



○
ø 13 mm
th 0.8 ... 2 mm

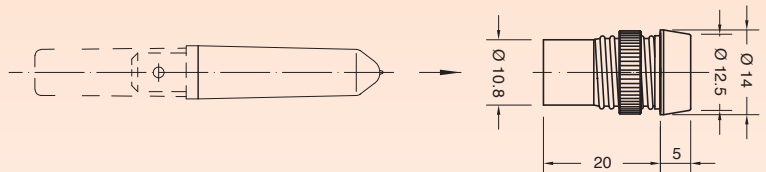
2



ACCESSORY LENSES FOR SERIES SX213...

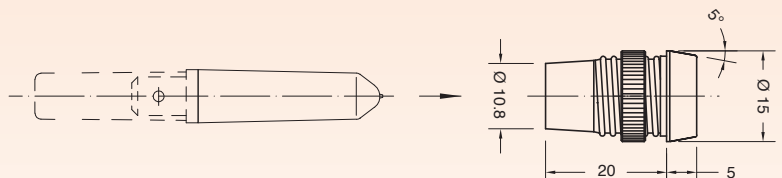
SX21T511...

○
ø 12 mm
th 0.8 ... 6.5 mm



SX21T531...

○
ø 13 mm
th 0.8 ... 6.5 mm



S	X	SERIES	DRAWING	TERMINAL	FUNCTION	VOLTAGE	TEMP.	COLOUR	WIRES	0	0
---	---	--------	---------	----------	----------	---------	-------	--------	-------	---	---

?	?	?	?	?	?	?	?	?	?	0	0
---	---	---	---	---	---	---	---	---	---	---	---

TERMINAL

1 Series 41 - 43
Tabs 6.3 x 0.8

R Series 41
Wires sealed

FUNCTION

1

2

3

5

6 Terminal 1

7 Terminal R

VOLTAGE

1 Function 5
2 V

2 Function 3 - 5
12 V

3 Function 3 - 5
24 V

4 Function 1 - 2 - 6 - 7
110 V

5 Function 1 - 2 - 6 - 7
125 V

6 Function 1 - 2 - 6 - 7
230 V

7 Function 1 - 2 - 6 - 7
250 V

8 Function 1 - 2
400 V

VDE or UL certified

?
Available on demand

X
Custom

TEMPERATURE

A
T 75 °C

1 Function 1 - 2 - 3
T 90 °C

2 Function 1 - 2
T 120 °C

3 Function 1 - 2
T 150 °C

COLOUR

ILLUMINATED ✨

G red

H orange

E green

L white

X custom

?

WIRES

000 Terminal 1 - C
Indicator light without wires

??? Terminal K - R
Indicator light with wires

Wires Material:

- PVC (up to T90 °C)
- SILICONE (up to T200 °C)

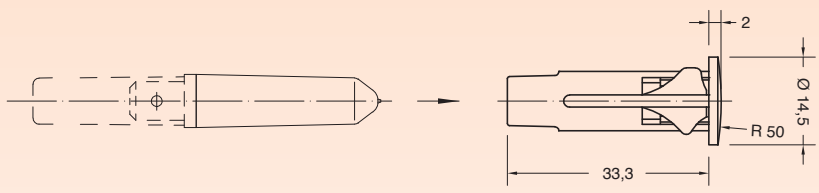
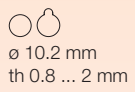
Wires Length:
from 60 mm to 600 mm (special version available up to 1.450 mm)

Wires Ends:

- pre-stripped (from 5.5 to 18 mm)
- stripped (from 5.5 to 18 mm)
- not stripped
- crimp terminals

Indicator Lights

SX21T572...
with antirotation rib



SX21T572...
without antirotation rib

SX21T592...

