

# EC BRUSHLESS MOTOR



**EXTREMELY SILENT  
LOW ENERGY CONSUMPTION  
HIGH PERFORMANCE**

<b>RATED VOLTAGE</b>	230 VAC (-15%; +10%)
<b>INSULATION CLASS</b>	F
<b>RATED MECHANICAL POWER</b>	1,2 W
<b>RATED ELECTRIC POWER</b>	6,7 W
<b>MOTOR EFFICIENCY</b>	18%
<b>WITHSTAND VOLTAGE</b>	1800 V
<b>TORQUE DIRECTION</b>	CW
<b>NUMBER OF POLES</b>	2
<b>DRIVE</b>	Half bridge
<b>MAX SPEED</b>	3.000 rpm
<b>PROTECTION</b>	Thermostat 100 °C
<b>OPERATING TEMPERATURE</b>	-5 °C / +40 °C
<b>NOTE</b>	Shaft lenght: on request Wires color: on request

Everel has released the Performance and Performance Plus EC brushless motors series.

The Performance Plus version, which integrates more advanced electronics, allows the control of motor speed and the possibility of reversing the rotation; it also can be din integrate the same board with humidity sensor, presence sensor, and timer.

- Energy saving: up to 70% compared to traditional motor
- Integrated electronic
- Power supply 230 VAC / 1 / 50-60
- Same dimensions and cut-out of standard motors (diameter 58 mm)
- Performance Plus version: humidity sensor, presence sensor, timer, lighting mgmt, firmware customization



## OPTIONALS



Shaft can be smooth, milled or with grooves with length on demand

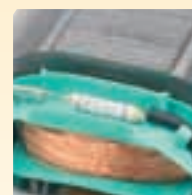


Brass bearings or ball bearings



Stack height from 12 to 35 mm

### Fuse



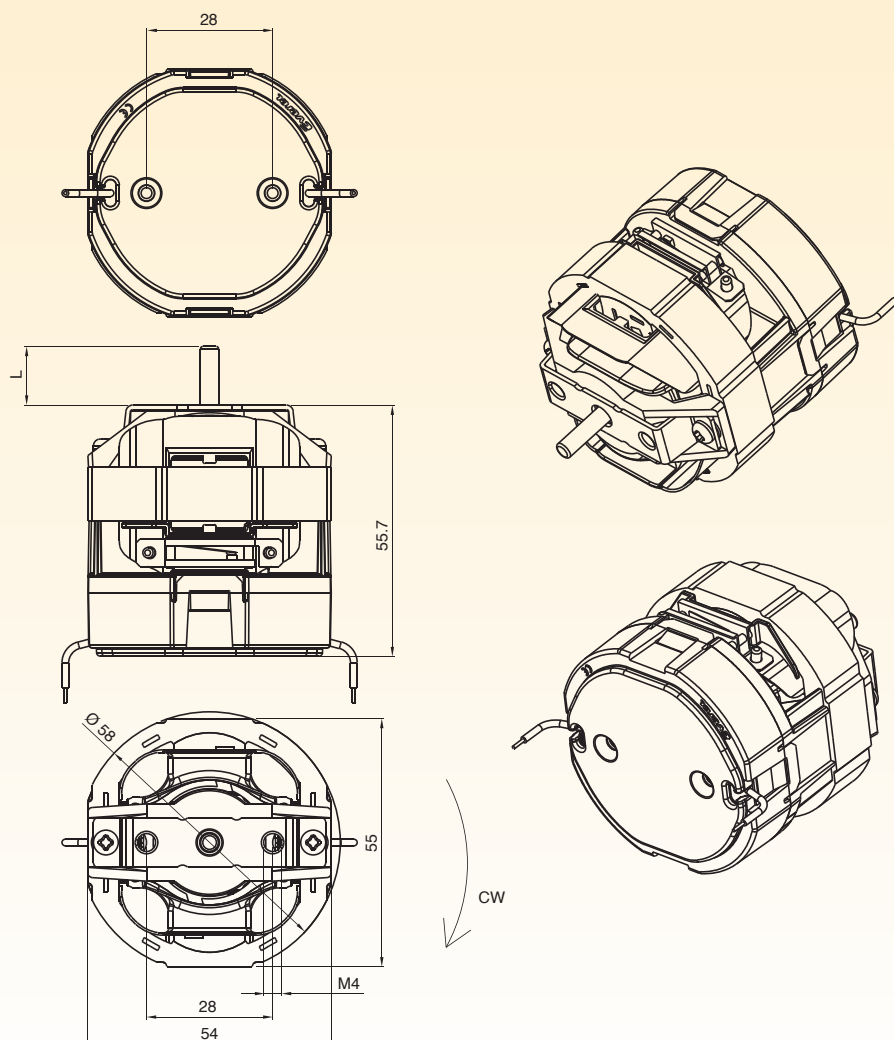
Motors protected by motor impedance or thermal protected by fuse or thermostat (autoreset or PTC)

### Thermostat



**DRAWING**

(Performance version)

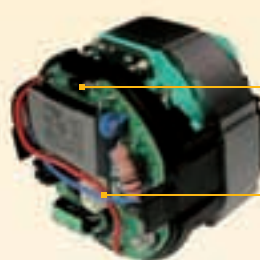


Different covers available

**TECHNICAL FEATURES****PERFORMANCE**

Integrated electronic and power supply board

Installation from electronic side available

**PERFORMANCE PLUS**

Timer management

Humidity sensor connector  
Speed control  
Presence sensor connection**New SELV version 12 V available**

SELV: Safety Extra Low Voltage

Stack height (H) mm	Power absorption W	Shaft Power W
12	6,5 ... 11	1,3 ... 2,2
16	7,5 ... 12	1,9 ... 3
20	8,5 ... 13	2,2 ... 3,3
25	9,5 ... 15	2,8 ... 4,5
30	10,5 ... 17	3,1 ... 5,1
35	11,5 ... 20	3,4 ... 6

Stack height (H) mm	Power absorption W	Shaft Power W
12	5 ... 8	1,5 ... 2,4
16	6 ... 9	2,1 ... 3,1
20	7 ... 10	2,4 ... 3,5
25	8 ... 12	2 ... 4,2
30	9 ... 14	3,2 ... 4,9
35	10 ... 17	3,5 ... 6