



# A8

<b>TYPICAL APPLICATIONS</b>	Small appliances
<b>FUNCTIONS</b>	■ DPST, illuminated or not
<b>CYCLE No.</b>	50.000
<b>CUT OUT</b>	19x13 mm
<b>AMBIENT TEMPERATURE</b>	125°
<b>GWT</b>	850 °C
<b>GWT NO FLAME (&lt;2sec)</b>	750 °C on demand

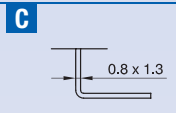
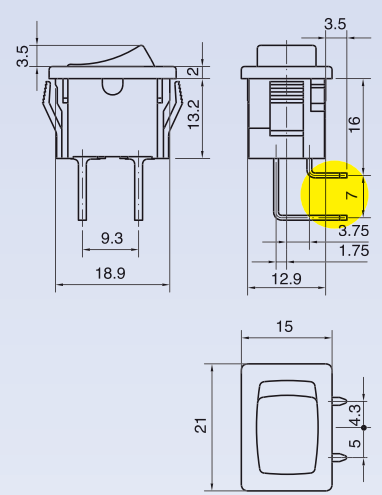
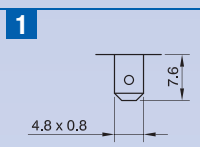
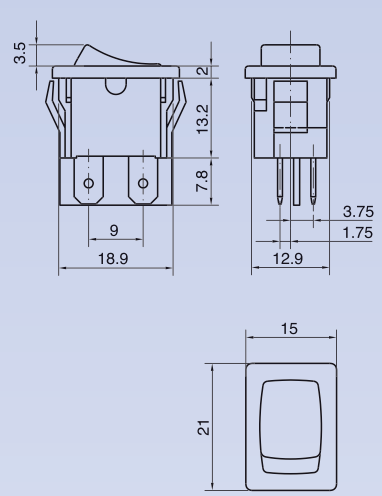


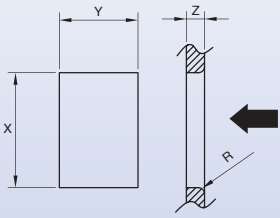
**A 8**

**?**

## DRAWING

## TERMINAL





Z	Y	X
0,7 ... 1,25	13,0 ±0,1	19,0 ±0,2
1,25 ... 2,0	13,0 ±0,1	19,3 ±0,2
2,0 ... 3,0	13,0 ±0,1	19,6 ±0,2

DRAWING TERMINAL	FUNCTION	RATING	BODY COLOUR	ROCKER COLOUR	MARKING COLOUR	MARKING
A	8					0 0 0

?	?	?	?	?	?	0	0	0
---	---	---	---	---	---	---	---	---

**FUNCTION**

**2**

**8**

**RATING**

**3**

**10 (4) A / 250 VAC**  
**6 (4) A / 250 VAC - 5E4**  
**T125 °C**  
**EN 61058**

10 A - 125 / 250 VAC  
 1/3 HP - 125 VAC  
 1/2 HP - 250 VAC  
 T65 °C  
 UL 1054  
 CSA C22.2

**BODY COLOUR**

**1** black

**2** white

**X** custom

**ROCKER COLOUR**

**1** black

**2** white

**8** green

**ILLUMINATED ✨**

**G** red

**H** orange

**E** green

**L** white

**X** custom

**MARKING COLOUR**

**0** none

**1** black

**2** white

**5** grey

**7** light blue

**8** red

**9** orange

**X** custom

**MARKING**

**0**

**1**

**4**

**6**

**R**

**X**