



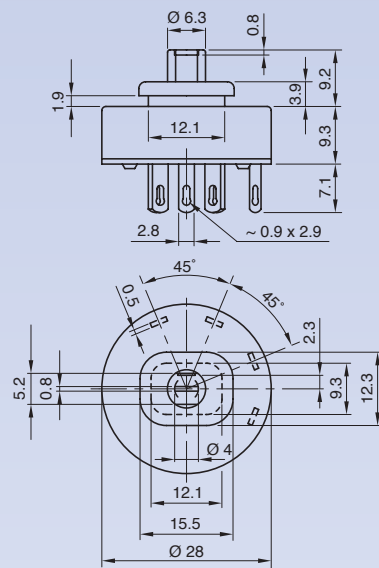
DS

TYPICAL APPLICATIONS	H VAC
FUNCTIONS	■ 45° steps (with 3 or 5 rest positions), SP
CYCLE No.	50.000
CUT OUT	Rear panel
AMBIENT TEMPERATURE	85 °C
GWT	850 °C
GWT NO FLAME (<2sec)	750 °C on demand

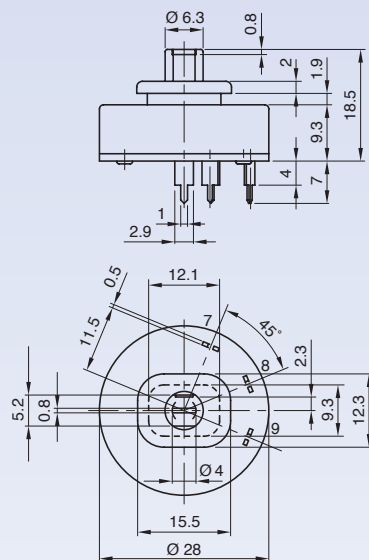


DRAWING

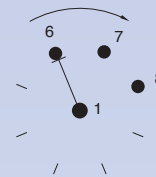
DS37



DS51



FUNCTION



RATING

2 (2) A / 250 VAC - 5E4
T85 °C
EN 61058

2A / 250 VAC
 T65 °C
 UL 1054

