



# RMASK

**TYPICAL APPLICATIONS** Steam cleaners, ironing generators

**FUNCTIONS**

- SPST, illuminated
- DPST, illuminated or not

**CYCLE No.** 50.000

**CUT OUT**  $\varnothing$  20 mm

**AMBIENT TEMPERATURE** 125 °C

**GWT** 850 °C

**GWT NO FLAME (<2sec)** 750 °C



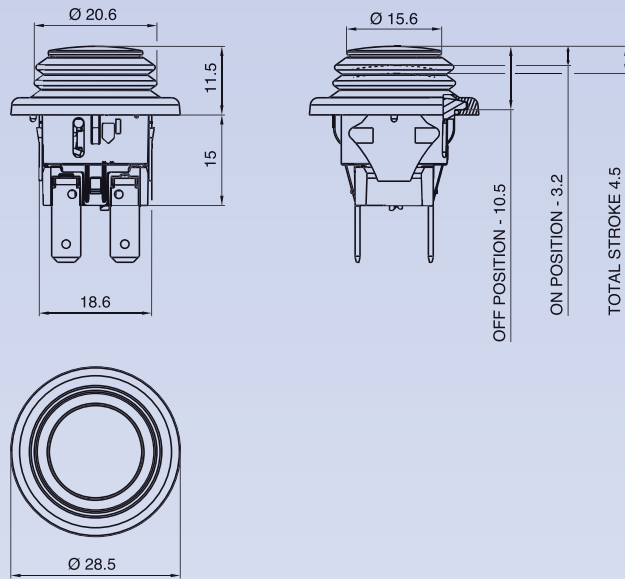
R M A S K ?

?

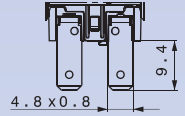
## DRAWING

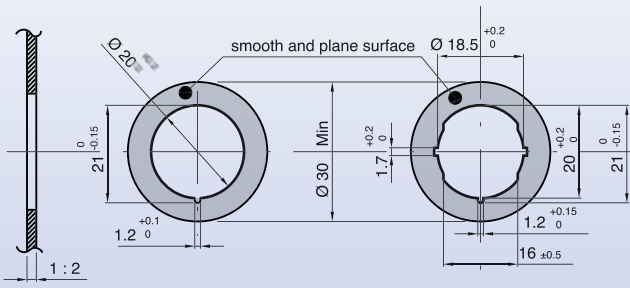
## TERMINAL

1



2





R	M	A	S	K	DRAWING	TERMINAL	FUNCTION	RATING	RUBBER COLOUR	BUTTON COLOUR	0	0	0	0	0
---	---	---	---	---	---------	----------	----------	--------	---------------	---------------	---	---	---	---	---

?	?	?	?	0	0	0	0	0
FUNCTION	RATING	RUBBER COLOUR	BUTTON COLOUR					

**2**

**6**

**8**

**C**

16 (6) A / 250 VAC  
 12 (10) A / 250 VAC  
 8 (8) A / 250 VAC - 5E4  
 T125 / 55 °C  
 EN 61058

16 A / 125 VAC  
 16 A / 250 VAC  
 1 / 2 HP - 125 VAC  
 3 / 4 HP - 250 VAC  
 T65 °C (T100 °C on demand)  
 UL 1054

**1**

black

**N**

black

**M**

white

ILLUMINATED ✨

**E**

green

**F**

blue

**G**

red

**H**

orange

**X** **?**

custom