



# CN

**TYPICAL APPLICATIONS** Hairdryers

**FUNCTIONS** ■ SPDT (3 positions 0/1/1+2)

**CYCLE No.** 50.000

**CUT OUT** See drawing

**AMBIENT TEMPERATURE** 85 °C

**GWT** 850 °C

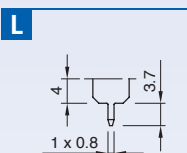
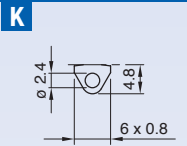
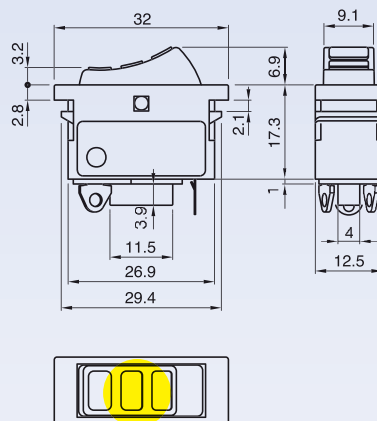
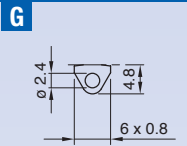
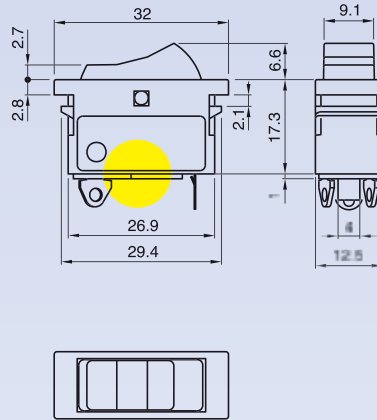
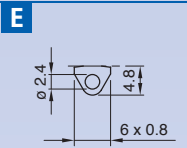
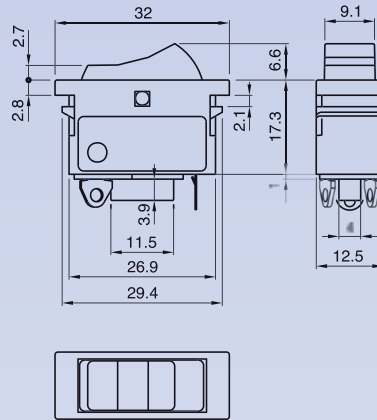


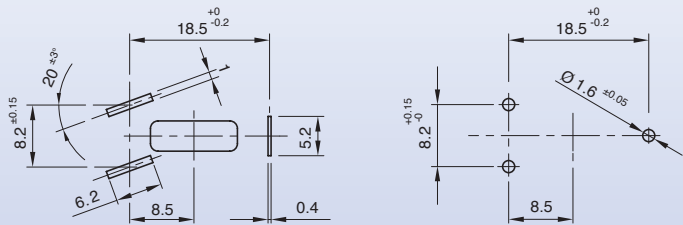
**C N**

**?**

## DRAWING

## TERMINAL

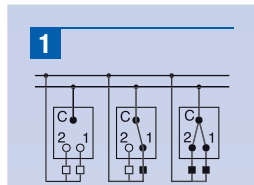




TERMINAL	FUNCTION	RATING	BODY COLOUR	ROCKER COLOUR	MARKING	MARKING COLOUR
C	N					
					0	0

?	?	?	?	?	?	0	0
---	---	---	---	---	---	---	---

**FUNCTION**      **RATING**      **BODY COLOUR**      **ROCKER COLOUR**      **MARKING**      **MARKING COLOUR**



**2**  
 16 A / 250 VAC  
 10 A / 250V - 5E4  
 T85 °C  
 µ disconnection  
 EN 61058

**3**  
 16 A / 250 VAC  
 10 A / 250V - 5E4  
 T85 °C  
 µ disconnection  
 EN 61058

13 A / 125 VAC  
 6.5 A / 250 VAC  
 T65 °C  
 UL 1054

**1** black  
**X** custom

**1** black  
**2** white  
**9** red  
**X** custom

**0** None  
**Terminal E - G**  
**A**   
**C**   
**Terminal K - L**  
**A**   
**X** custom

**0** none  
**1** black  
**2** white  
**5** grey  
**7** light blue  
**8** red  
**X** custom