

INSERT LINE IDRA

PELLET BOILER-INSERT



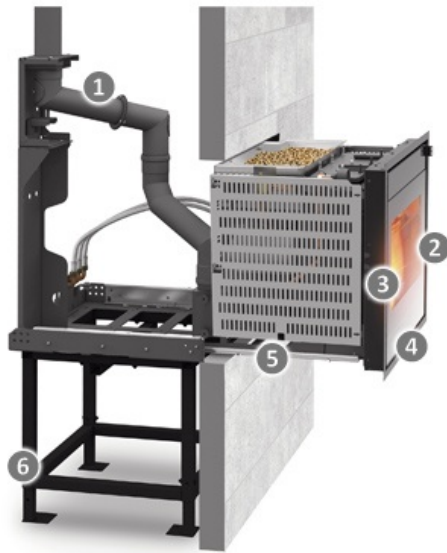
Insert line 600 idra is an elegant and modern pellet powered fireplace. The innovative design of the vertical tube heat exchanger THERMOCORE® allows the appliance to achieve both a very high performance and maximum energy saving. The front door and the pellet burning pot, constructed in heavy cast iron, add an extra degree of reliability and longevity. Equipped with the PELLETPOWER® technology patented burner, with simplified cleaning system EASY CLEANING and with removable ash pan as standard. Easy and quick to install thanks to the support kit.



Heatable area

128 m².





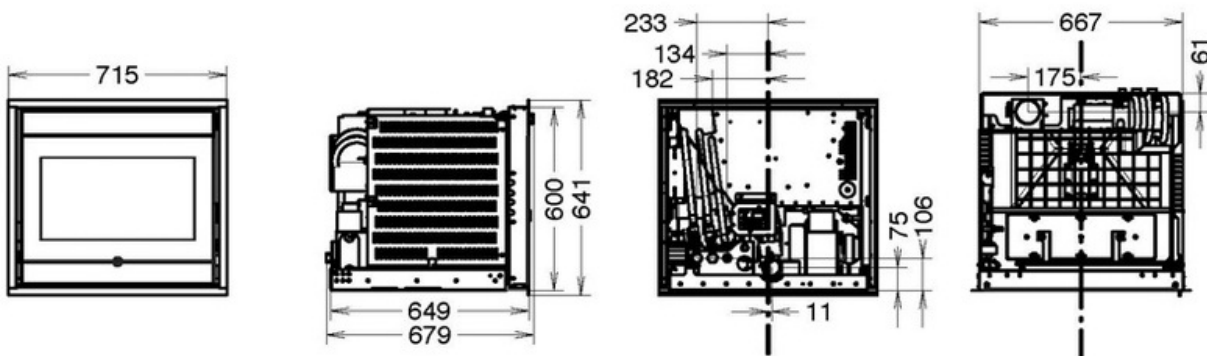
- 1 - Option: Fast rigid mobile kit. Extracting system for inserts, for pellet refueling (even during the working phase) and flexible hydraulic connection
- 2 - Removable door handle. Essential design and added safety
- 3 - PelletPower® patented burner
- 4 - Cast iron and glass inlayed firebox door
- 5 - Reinforced rails included for extraction
- 5 - Optional: Support kit (chute for fixed installation included)



DETAILS



DIMENSIONS



TECHNICAL DATA

DIMENSIONS (HXWXD)

641X715X655

WEIGHT (KG)	154
HEATABLE AREA (M ²)*A*C	128
EFFICIENCY UP TO MAX (%)*A	91,4%
ENERGY CLASS	A+
POWER TO THE HEART (KW)*A	5,5 - 15,7
RATED POWER (KW)*A	5 - 14,2
POWER TO THE WATER (KW)*A	4,4 - 11,8
RADIATION (KW)*A	0,7 - 2,4
HOURLY PELLET CONSUMPTION (KG/H)*A	1,1 - 3,3
WOOD HOURLY CONSUMPTION (KG/H)*A	-
PELLET HOPPER CAPACITY (KG)*A	20,0
WARM AIR DUCTING	-
MAXIMUM SINGLE DUCTING OUTLET (M)	-
PATENTED BURNER PELLETPOWER®	SI
ROOM VENTILATION	-
PRIMARY AIR FROM OUTSIDE	SI
CO EMISSIONS (MG/M ³ ; 13% OF O ₂)*A	104,3
CO EMISSIONS (MG/M ³ ; 10% OF O ₂)*A	-
DUST EMISSIONS (MG/M ³ ; 13% OF O ₂)*A	14,9
DUST EMISSIONS (MG/M ³ ; 10% OF O ₂)*A	-
SILENCE (DB)	36
REMOTE CONTROL	-
RADIO CONTROL WITH ROOM TEMPERATURE THERMOSTAT	-
WEEKLY PROGRAMMER (3 DAILY LIGHTING)	SI
«SMART INFO» FUNCTION	SI
SYSTEM CIRCULATING PUMP	SI
EXPANSION TANK	SI
OVER PRESSURE VALVE	SI
FLUE GASEXHAUST DIAMETER (MM)	80
MIN. FLUE DRAUGHT PRESSURE (PA)	10
ELECTRIC CONSUMPTION (WATT)	90-340
HIGH TEMPERATURE SAFETY THERMOSTAT	SI

*A EMISSIONS AND PERFORMANCE DATA MAY CHANGE ACCORDING TO THE FUEL USED. THE VALUES OF PELLET PRODUCTS HAVE BEEN OBTAINED BY USING CERTIFIED FUEL ACCORDING TO EN 14961-2 A1-A2 NORM. WOOD LOGS PRODUCTS VALUES MAY VARY ACCORDING TO THE TYPE AND QUALITY OF THE WOOD LOGS USED.

*B PROVISIONAL DATA UNDER CERTIFICATION

*C IMPORTANT: WHEN CALCULATING THE VOLUME OF THE "HEATED AREA" SOME RELEVANT ASPECTS MUST BE CONSIDERED: INSULATION OF THE BUILDING (ENERGY CLASS), POSITION OF THE HEATER, CLIMATIC AREA AND MORE ASPECTS THAT CAN AFFECT THE VALUES OF PERFORMANCE. REPORTED DATA HAVE BEEN CALCULATED ON THE BASE OF ROOF NOT HIGHER THAN 3 MTS.

THE MANUFACTURER RESERVES THE RIGHT TO MAKE CHANGES WITHOUT PREVIOUS NOTICE.

THERMOROSI S.p.A.

Via Grumolo, 4 | 36011 Arsiero (VI) | Italy | E-mail: info@thermorossi.it

Tel: 800.44.88.77 | Fax: 0445 741657 | P.IVA 00168470243 | Iscr. REA99797 Vicenza | Cap. Sociale di 156,000,00 I.v.