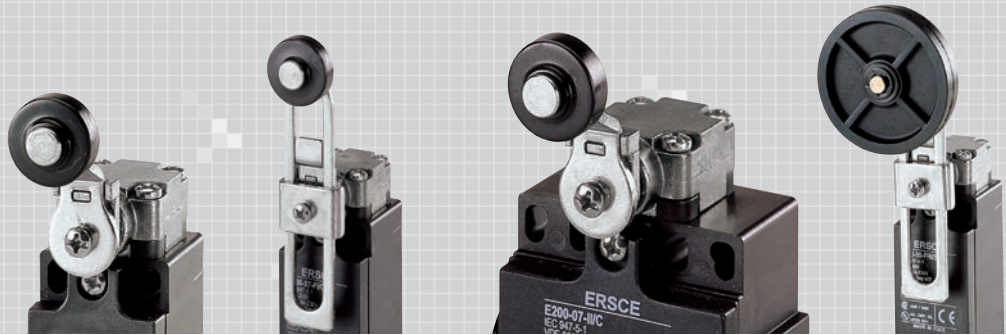
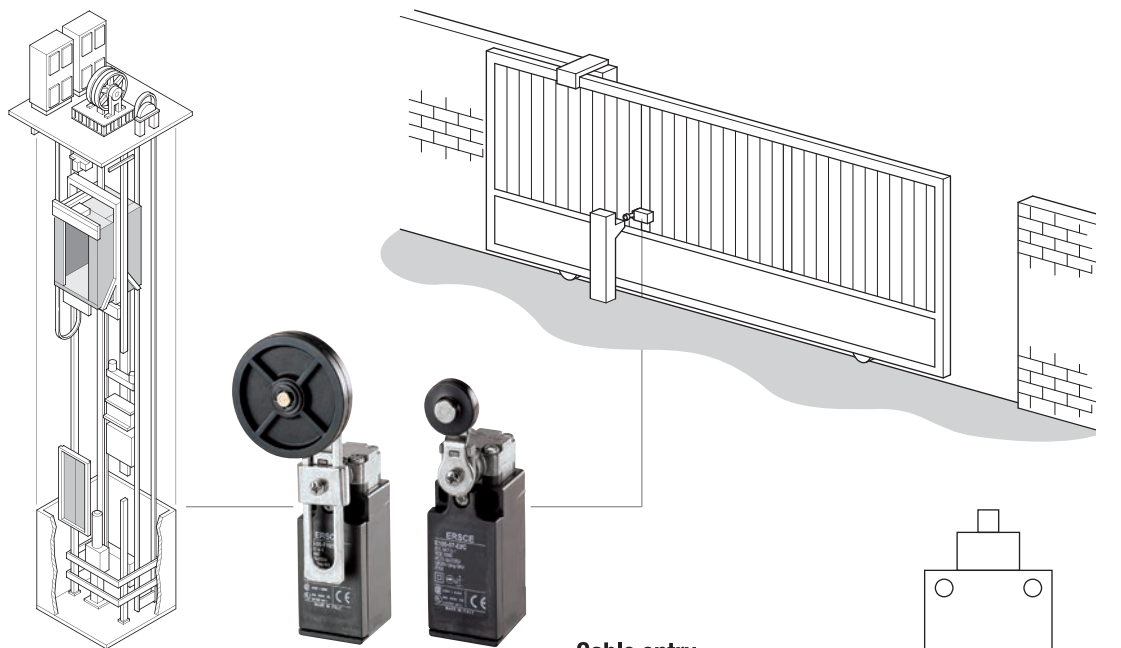


# Limit switches for gates and lifts



## Product for gates and lifts

For gates and lifts applications Bremas provides a dedicated contact block, 2NC slow action with asymmetric working, to allow the detection of position and direction of the moving part. It is available for E100 and E200 series with plastic or metal body and actuators.



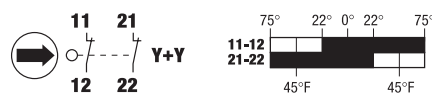
### Cable entry

	F	S	D
E100	•		
E200		•	•



### Dedicated contact block

Dedicated contact block 07 for gates/lifts



### Fixing

E100	20/22 mm
E200	20/22 and 40/42 mm

### In conformity with standards:

IEC EN 60947-5-1 • EN 60947-1 • UNI EN 1088  
EN ISO 12100-1 • EN ISO 12100-2 • IEC 529 • EN 60529  
VDE 0660-200 • VDE 0113 • EN 81-1 • EN 81-2

### Thread

Thread	Series part no.	
Pg 13,5	E100...	E200...
M20x1,5	E101...	E201...
1/2" NPT (on request)	E102...	E202...
Pg 11 (on request)	E103...	
M16x1,5 (on request)	E104...	
M12 connector (on request)	E100...M12	E200...M12

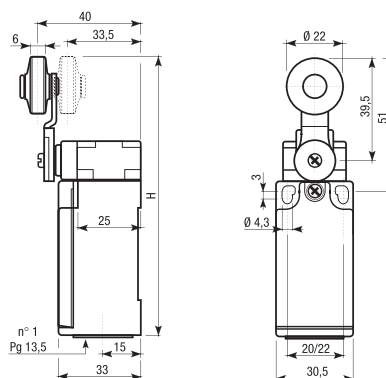


Thermoplastic roller lever

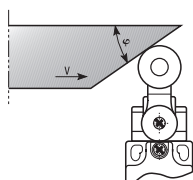
Contact element	
2NC slow action  <b>07</b>	
Weight	kg
Pack	pcs
H	mm

standard article

Cable entry						Contact travel
PG 13,5			M20 x 1,5			
Plastic head Plastic body	Metal head Plastic body	Metal head Metal body	Plastic head Plastic body	Metal head Plastic body	Metal head Metal body	
E10007EPC	<b>E10007EIC</b>	E10007EMC	E10107EPC	E10107EIC	E10107EMC	
0,081	0,135	0,225	0,081	0,135	0,225	
1	1	1	1	1	1	
108,5	108,5	106	108,5	108,5	106	



Drive cam operating parameters



$\varphi$	V max (m/s)
30°	1,5
45°	1
60°	0,75
60-90°	0,25

Drive forces	
Minimum command force	15 Ncm
Minimum forced opening force	35 Ncm

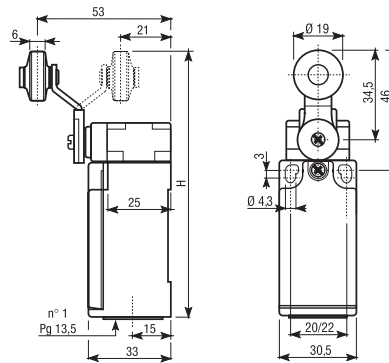


Thermoplastic roller lever

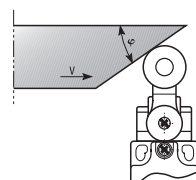
Contact element	
2NC slow action 	<b>07</b>
Weight	kg
Pack	pcs
H	mm

standard article

Cable entry						Contact travel
PG 13,5			M20 x 1,5			
Plastic head Plastic body	Metal head Plastic body	Metal head Metal body	Plastic head Plastic body	Metal head Plastic body	Metal head Metal body	
<b>E10007IPC</b>	<b>E10007IIC</b>	<b>E10007IMC</b>	<b>E10107IPC</b>	<b>E10107IIC</b>	<b>E10107IMC</b>	
0,079	0,13	0,225	0,079	0,13	0,225	
1	1	1	1	1	1	
103,5	103,5	101	103,5	103,5	101	



Drive cam operating parameters



$\varphi$	V max (m/s)
30°	1,5
45°	1
60°	0,75
60-90°	0,25

Drive forces	
Minimum command force	15 Ncm
Minimum forced opening force	35 Ncm

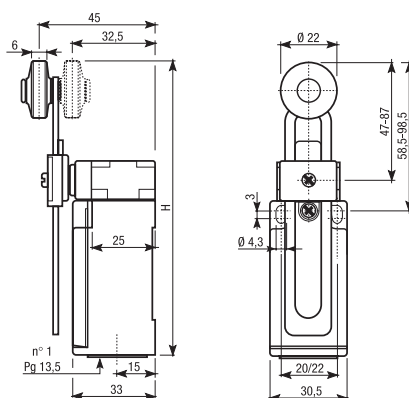


Thermoplastic roller variable length lever

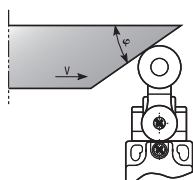
Contact element	
2NC slow action 	<b>07</b>
Weight	kg
Pack	pcs
H	mm

standard article

Cable entry						Contact travel
PG 13,5			M20 x 1,5			
Plastic head Plastic body	Metal head Plastic body	Metal head Metal body	Plastic head Plastic body	Metal head Plastic body	Metal head Metal body	
<b>E10007FPC</b>	<b>E10007FIC</b>	<b>E10007FMC</b>	<b>E10107FPC</b>	<b>E10107FIC</b>	<b>E10107FMC</b>	
0,079	0,15	0,24	0,079	0,15	0,24	
1	1	1	1	1	1	
116 ÷ 156	116 ÷ 156	113,5 ÷ 153,5	103,5	103,5	101	



Drive cam operating parameters



$\varphi$	V max (m/s)
30°	1,5
45°	1
60°	0,75
60-90°	0,25

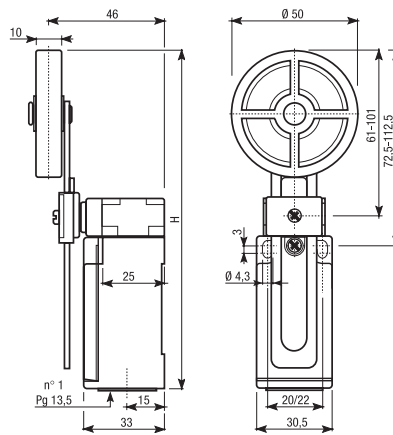
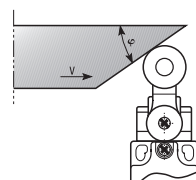
Drive forces	
Minimum command force	15 Ncm
Minimum forced opening force	35 Ncm


**Ø50 mm rubber roller variable length lever**

Contact element	
2NC slow action 	<b>07</b>
Weight	kg
Pack	pcs
H	mm

standard article

Cable entry						Contact travel
PG 13,5			M20 x 1,5			
Plastic head Plastic body	Metal head Plastic body	Metal head Metal body	Plastic head Plastic body	Metal head Plastic body	Metal head Metal body	
<b>E10007FP50C</b>	<b>E10007FI50C</b>	<b>E10007FM50C</b>	<b>E10107FP50C</b>	<b>E10107FI50C</b>	<b>E10107FM50C</b>	
0,114	0,16	0,25	0,114	0,16	0,25	
1	1	1	1	1	1	
130 ÷ 170	130 ÷ 170	127,5 ÷ 167,5	130 ÷ 170	130 ÷ 170	127,5 ÷ 167,5	


**Drive cam operating parameters**


φ	V max (m/s)
30°	1,5
45°	1
60°	0,75
60-90°	0,25

Drive forces	
Minimum command force	15 Ncm
Minimum forced opening force	35 Ncm

FR•50C

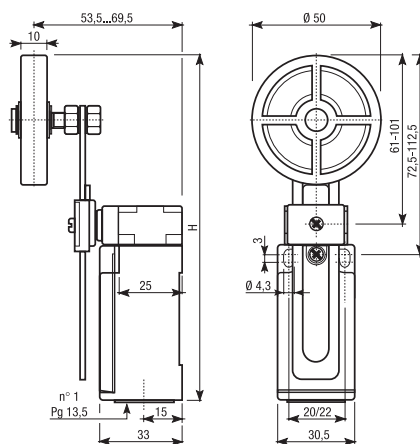


Ø50 mm rubber roller adjustable lever

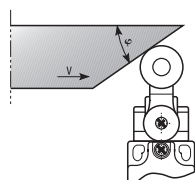
Contact element	
2NC slow action	<b>07</b>
Weight	kg
Pack	pcs
H	mm

standard article

Cable entry						Contact travel
PG 13,5			M20 x 1,5			
Plastic head Plastic body	Metal head Plastic body	Metal head Metal body	Plastic head Plastic body	Metal head Plastic body	Metal head Metal body	
E10007FRP50C	E10007FRI50C	E10007FRM50C	E10107FRP50C	E10107FRI50C	E10107FRM50C	
0,114	0,16	0,25	0,114	0,16	0,25	
1	1	1	1	1	1	
130 ÷ 170	130 ÷ 170	127,5 ÷ 167,5	130 ÷ 170	130 ÷ 170	127,5 ÷ 167,5	



Drive cam operating parameters



φ	V max (m/s)
30°	1,5
45°	1
60°	0,75
60-90°	0,25

Drive forces	
Minimum command force	15 Ncm
Minimum forced opening force	35 Ncm



E•C

Thermoplastic roller lever



I•C

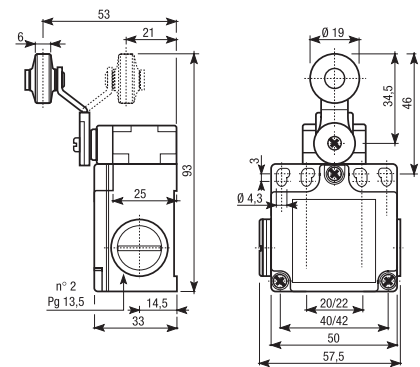
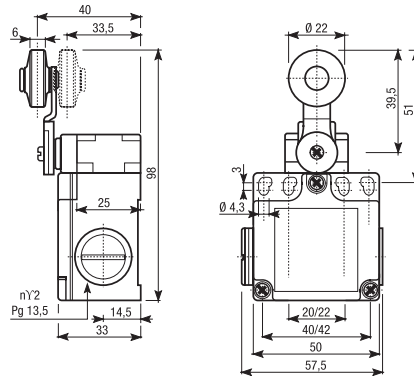
Thermoplastic roller lever

Contact element	
2NC slow action	07
Weight	kg
Pack	pcs

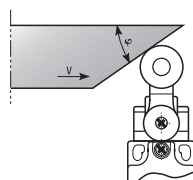
standard article

Cable entry		Contact travel
PG 13,5	M20 x 1,5	
Metal head	Metal head	
Plastic body	Plastic body	
E20007EIC	E20107EIC	
0,16		
1		

Cable entry		Contact travel
PG 13,5	M20 x 1,5	
Metal head	Metal head	
Plastic body	Plastic body	
E20007IIC	E20107IIC	
0,16		
1		



Drive cam operating parameters



$\varphi$	V max (m/s)
30°	1,5
45°	1
60°	0,75
60-90°	0,25

Drive forces	
Minimum command force	15 Ncm
Minimum forced opening force	35 Ncm



Available for series: E100  
E200  
E300  
E400

In conformity with standards:  
IEC/EN 60947-1  
IEC/EN 60947-5-1

Contact element

Contact element	Code	Description	Pack	Weight conf. (kg)
1NO+1NC snap action 	<b>ELEM00</b>	1NO+1NC snap action	5	0,495
1NO+1NC azione lenta 	<b>ELEM01</b>	1NO+1NC slow action	5	0,485
1NO+1NC azione lenta 	<b>ELEM01A</b>	1NO+1NC slow action	5	0,485
1NO+1NC slow overlap. 	<b>ELEM02</b>	1NO+1NC slow overlap	5	0,485
2NO azione lenta 	<b>ELEM03</b>	2NO slow action	5	0,485
2NO slow action 	<b>ELEM03S</b>	2NO slow action	5	0,485
2NC slow action 	<b>ELEM04</b>	2NC slow action	5	0,485
2NC slow action 	<b>ELEM04S</b>	2NC slow action	5	0,485
1NO+1NC snap action 	<b>ELEM05</b>	1NO+1NC snap action	5	0,485
2NC slow action 	<b>ELEM07</b>	2NC slow action	5	0,485
3NC+1NO slow action 	<b>ELEM80</b>	3NC+1NO slow action	5	0,485
2NC+2NC slow action 	<b>ELEM81</b>	2NC+2NC slow action	5	0,485

standard article

\* for E400 series



