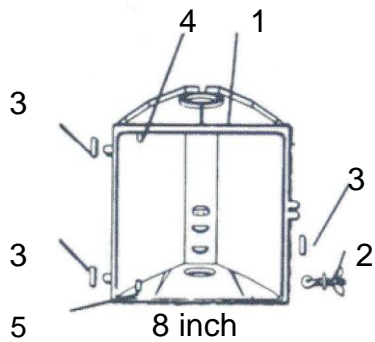




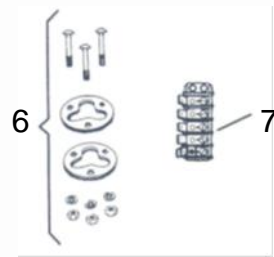
# Sustainable Solutions for Traffic Technologies

## Traffic Signals

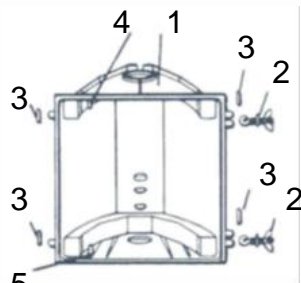
Replacement parts for 8" & 12" Polycarbonate Signals and Beacons



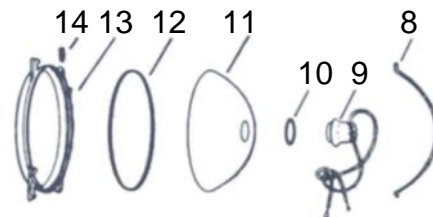
8 inch



Section connectors and terminal block



12 inch



Bulb receptacle and reflector parts

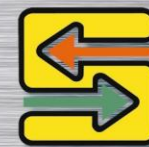
Ordering information 8" & 12" Polycarbonate signals and beacons

Item	Part description	Catalog number	
		8 Inch	12-inch
1	Body"	0700436	0700431
2	Eye bolt, wing nut, and washer assembly	TL4119	TL4119
3	3/16" x 1" groove pin for eye bolt and door	0700478	0700478
4	Groove pin, top	0700478	11C02-018024
5	Grove pin, bottom	11C02-018024	11C02-018012
6	Bolt assembly for connecting sections	0700127	0700127
7	Terminal block, 5 position	20U30-005	20U30-005
8	Spring Wire bale	0700011	0700012
9	Receptacle and lead assembly black and white wires	0700128	0700128
	Receptacle and lead assembly red and white wires	0700156	0700156
	Receptacle and lead assembly yellow and white wires	0700157	0700157
	Receptacle and lead assembly green and white wires	0700158	0700158
10	Receptacle gasket	013G51-1398	013G51-1399

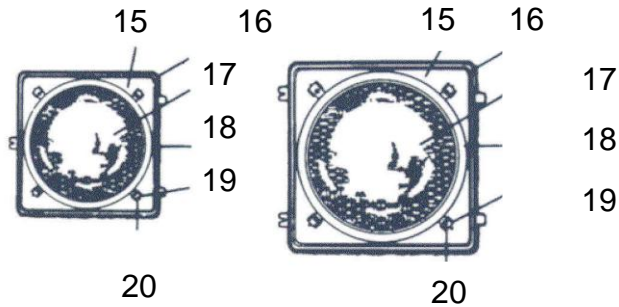
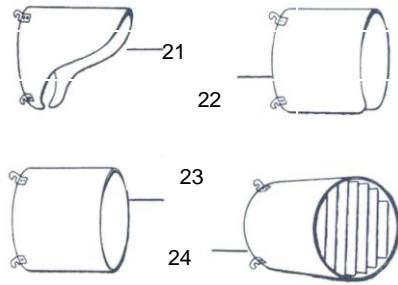


# PEEK

www.peaktraffic.com



a signal group company



Standard colors are Dark Green, Black and Federal Yellow.  
Please specify color on the order

Item	Part description	Catalog number	
11	Alzak Aluminum reflector assembly	0700003	0700004
12	Reflector gasket	013G51-1398	013G51-1399
13	Reflector retaining ring	0700454	0700455
14	Reflector spring	0700013	0700013
15	Door only	0700486	0700485
16	Door gasket	0700477-8	0700477-12
17	Lens	See visor and Lenses Sheet for listing	
18	Lens gasket	0700474	0700473
19	Lens clip	0700014	0700014
20	Lens clip screw	10A08-019D08	10A08-019D08
21-24	Visors	See visor and Lenses Sheet for listing	
25	Visor Screw	10A08-019D08	10A08-019D08



2906 Corporate Way  
Palmetto, FL 34221  
(941) 845-1200  
(800) 245-7660  
www.peaktraffic.com

About Peek Traffic Corporation – Peek's heritage goes back over 120 years, covering a broad range of quality turnkey traffic control products and services. Throughout the years, Peek's products have helped to make motorists around the world safer and their travels more pleasant and efficient. This expertise, experience, and breadth of product lines has made Peek one of the most respected and recognized leaders in the traffic control marketplace.

The information contained in this publication is presented for informational purposes only, and while every effort has been made to ensure its accuracy, the information is not to be construed as warranty or guarantee, express or implied, regarding the products or services described herein or their use or applicability. No license is granted by implication or otherwise to any of Peek Traffic's intellectual property. Peek Traffic reserves the right to alter or revise any of its products or published technical data related thereof at any time without notice.