



P1

TYPICAL APPLICATIONS Cooking, small appliances, H VAC

FUNCTIONS

- SPST momentary, illuminated or not
- DPST momentary

CYCLE No. 50.000

CUT OUT ø 16 mm

AMBIENT TEMPERATURE 125 °C

GWT 850 °C

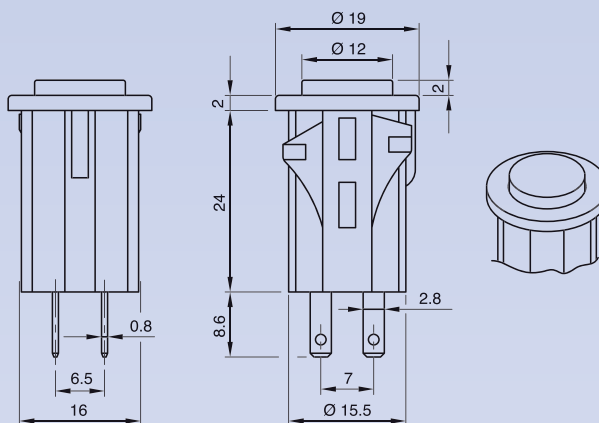
GWT NO FLAME (<2sec) 750 °C on demand



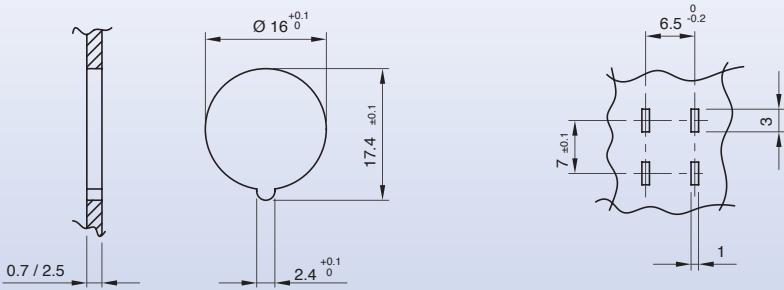
P 1 ?

DRAWING

2



WATERPROOF CAP



P	1	DRAWING	FUNCTION	RATING	BODY COLOUR	BUTTON COLOUR	MARKING COLOUR	MARKING	0	0	0
---	---	---------	----------	--------	-------------	---------------	----------------	---------	---	---	---

?	?	?	?	?	?	?	?	0	0	0
---	---	---	---	---	---	---	---	---	---	---

FUNCTION **RATING** **BODY COLOUR** **BUTTON COLOUR** **MARKING COLOUR** **MARKING**

4

7

N

P

3

3 (1) A / 250 VAC
0.5 A / 250 VAC - 5E4
T125 °C
EN 61058

On demand
2A/125 VAC
T65 °C
UL 1054

1 black

2 white

X custom

1 black

2 white

5 grey

9 red

G red

X custom

ILLUMINATED ✨

0 none

1 black

2 white

X custom

0

7

8

X