

FEATURES

- 316 stainless steel ball & stem
- Fiberglass reinforced polypropylene
- PTFE seats
- EPDM O-rings
- 12-volt DC with 24-volt available in most models
- Internally fused/automatic reset
- Weep hole between valve and actuator
- Easily repairable
- Open/closed indicator

ELECTRIC VALVES



3/8" - 1/2" LEV SERIES

FEATURES

- 12 Volt DC
- Stationary current draw: less than 0.04 amps
- Rotating current draw: less than 0.40 amps
- Stall current: 0.75 amps
- Response time: 1/3 second open to close
- TFM seats
- EPDM seals
- Fiberglass reinforced polypropylene
- Integrated mounting slot
- Standard 3 wire configuration



LEV038



LEV050

3/8"-1/2" ON/OFF ELECTRIC VALVES

PART NO	DESCRIPTION	MAX PSI	PIPE SIZE	OPENING THRU BALL	QTY
LEV038	3/8" FULL PORT ELECTRIC VALVE	300	3/8"	3/8"	1
LEV050	1/2" ELECTRIC VALVE	300	1/2"	15/32"	1



LEV025PL



LEV038PL



LEV050PL

1/4"-1/2" ELECTRIC VALVES W/ PUSH LOCKS

PART NO	DESCRIPTION	MAX PSI	PIPE SIZE	OPENING THRU BALL	QTY
LEV025PL	1/4" ELECTRIC VALVE W/ PUSH LOCK	150	1/4"	3/8"	1
LEV038PL	3/8" FULL PORT ELECTRIC VALVE W/ PUSH LOCK	150	3/8"	3/8"	1
LEV050PL	1/2" ELECTRIC VALVE W/ PUSH LOCK	150	1/2"	15/32"	1



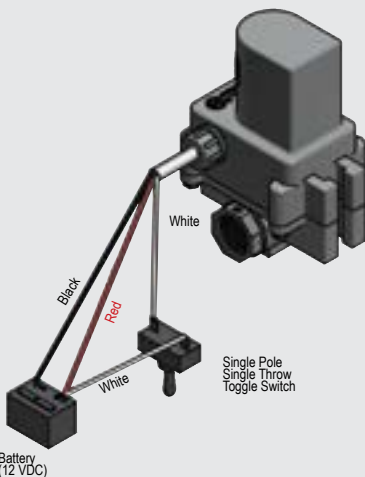
LEV025PLST



LEV038PLST

1/4"-3/8" ELECTRIC VALVES W/ PUSH LOCKS

PART NO	DESCRIPTION	MAX PSI	PIPE SIZE	OPENING THRU BALL	QTY
LEV025PLST	1/4" ELECTRIC VALVE W/ PUSH LOCK & SPRAY TIP ADAPTER	150	1/4"	3/8"	1
LEV038PLST	3/8" FULL PORT ELECTRIC VALVE W/ PUSH LOCK & SPRAY TIP ADAPTER	150	3/8"	3/8"	1





3/4"-1 1/4" ELECTRIC VALVES

FEATURES

- 316 stainless steel ball & stem
- Stainless steel hardware
- Fiberglass reinforced polypropylene
- PTFE seats
- EPDM O-rings
- 12-volt DC operated
- 24-volt available in most models
- Easily repairable
- Open/closed indicator
- ON/OFF has 3/4 second response
- Regulating has 4 second response

REPAIR KIT INCLUDES:

- Stem with Seals
- Gasket
- Body O-Rings
- Ball Seats

3/4"-1 1/4" ON/OFF ELECTRIC VALVES

PART NO	DESCRIPTION	MAX PSI	PIPE SIZE	OPENING THRU BALL	QTY
EV075	3/4" FULL PORT ELECTRIC VALVE	300	3/4"	1"	1
EV100FP	1" FULL PORT ELECTRIC VALVE	300	1"	1"	1
EV125	1 1/4" ELECTRIC VALVE	300	1 1/4"	1"	1

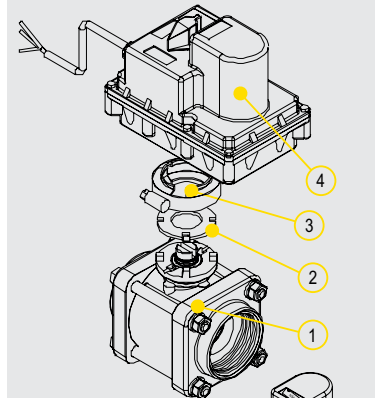
3/4"-1 1/4" REGULATING ELECTRIC VALVES

PART NO	DESCRIPTION	MAX PSI	PIPE SIZE	OPENING THRU BALL	QTY
EVR075	3/4" FULL PORT ELECTRIC VALVE	300	3/4"	1"	1
EVR100FP	1" FULL PORT ELECTRIC VALVE	300	1"	1"	1
EVR125	1 1/4" ELECTRIC VALVE	300	1 1/4"	1"	1

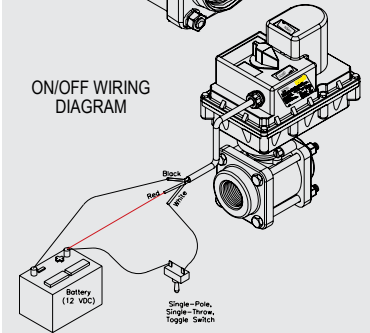
REPLACEMENT PARTS

ITEM	PART NO	DESCRIPTION	QTY
1	EV075XR1	3/4" FULL PORT ELECTRIC VALVE SUB ASSEMBLY	1
1	EV100XR1	1" ELECTRIC VALVE SUB ASSEMBLY	1
1	EV125XR1	1 1/4" ELECTRIC VALVE SUB ASSEMBLY	1
2	MVE004	ELECTRIC VALVE FLANGE GASKET	1
3	FC100	1" FLANGE CLAMP	1
4	EV3300	3/4 SECOND 3 WIRE MOTOR ASSEMBLY	1
4	EVR3300	REGULATING 4 WIRE, 4 SECOND	1
KIT	EV10210	REPAIR KIT	1

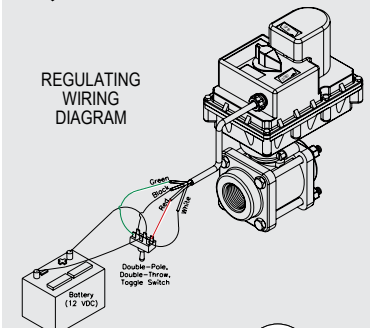
Note: 2 wire regulating and other response times available. Contact our sales team for part number and availability of valves.



ON/OFF WIRING DIAGRAM



REGULATING WIRING DIAGRAM



ELECTRIC VALVES



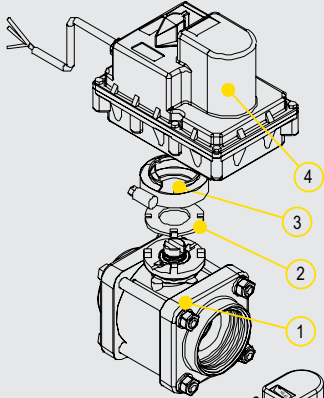
1½"- 2" THREADED

FEATURES

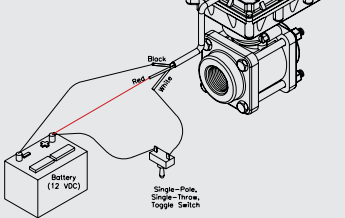
- 316 stainless steel ball & stem
- Stainless steel hardware
- Fiberglass reinforced polypropylene
- PTFE seats
- EPDM O-rings
- 12-volt DC operated
- 24-volt available in most models
- Easily repairable
- Open/closed indicator
- ON/OFF has 1¼ second response
- Regulating has 4 second response

REPAIR KIT INCLUDES:

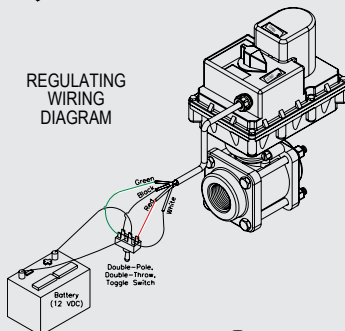
- Stem with Seals
- Gasket
- Body O-Rings
- Ball Seats



ON/OFF WIRING DIAGRAM



REGULATING WIRING DIAGRAM



1½"-2" ON/OFF ELECTRIC VALVES

PART NO	DESCRIPTION	MAX PSI	PIPE SIZE	OPENING THRU BALL	QTY
EV150	1½" ELECTRIC VALVE	300	1½"	1½"	1
EV200	2" ELECTRIC VALVE	300	2"	1½"	1

1½" REGULATING ELECTRIC VALVES

PART NO	DESCRIPTION	MAX PSI	PIPE SIZE	OPENING THRU BALL	QTY
EVR150	1½" ELECTRIC VALVE	300	1½"	1½"	1

REPLACEMENT PARTS

ITEM	PART NO	DESCRIPTION	QTY
1	EV150XR1	1½" FULL PORT ELECTRIC VALVE SUB ASSEMBLY	1
1	EV200XR1	2" ELECTRIC VALVE SUB ASSEMBLY	1
2	MVE004	ELECTRIC VALVE FLANGE GASKET	1
3	FC100	1" FLANGE CLAMP	1
4	EV4300	1¼ SECOND 3 WIRE MOTOR ASSEMBLY	1
4	EVR4300	REGULATING 4 WIRE, 4 SECOND	1
KIT	EV20210	REPAIR KIT	1

Note: 2 wire regulating and other response times available. Contact our sales team for part number and availability of valves.





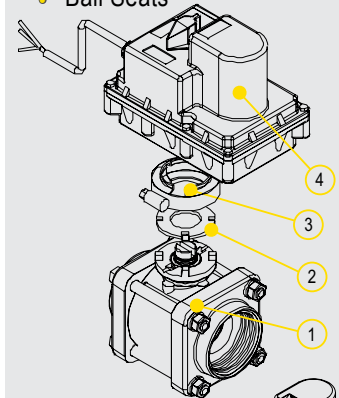
2" FULL PORT THREADED

FEATURES

- 316 stainless steel ball & stem
- Stainless steel hardware
- Fiberglass reinforced polypropylene
- PTFE seats
- EPDM O-rings
- 12-volt DC operated
- 24-volt available in most models
- Easily repairable
- Open/closed indicator
- ON/OFF has 1¼ second response
- Regulating has 4 second response

REPAIR KIT INCLUDES:

- Stem with Seals
- Gasket
- Body O-Rings
- Ball Seats

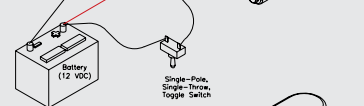
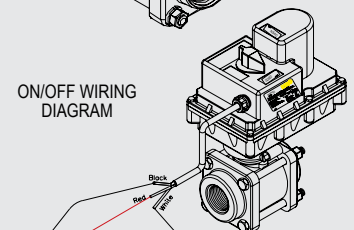


2" FULL PORT ON/OFF ELECTRIC VALVES

PART NO	DESCRIPTION	MAX PSI	PIPE SIZE	OPENING THRU BALL	QTY
EV204FP	2" FULL PORT ELECTRIC VALVE	225	2"	2"	1

2" FULL PORT REGULATING ELECTRIC VALVES

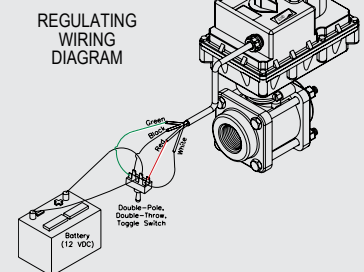
PART NO	DESCRIPTION	MAX PSI	PIPE SIZE	OPENING THRU BALL	QTY
EVR204FP	2" FULL PORT ELECTRIC VALVE	225	2"	2"	1



REPLACEMENT PARTS

ITEM	PART NO	DESCRIPTION	QTY
1	EV204XR1	2" ELECTRIC VALVE SUB ASSEMBLY	1
2	MVE004	ELECTRIC VALVE FLANGE GASKET	1
3	FC100	1" FLANGE CLAMP	1
4	EV4300	1¼ SECOND 3 WIRE MOTOR ASSEMBLY	1
4	EVR4300	REGULATING 4 WIRE, 4 SECOND	1
KIT	EV25210	REPAIR KIT	1

Note: 2 wire regulating and other response times available. Contact our sales team for part number and availability of valves.



ELECTRIC VALVES



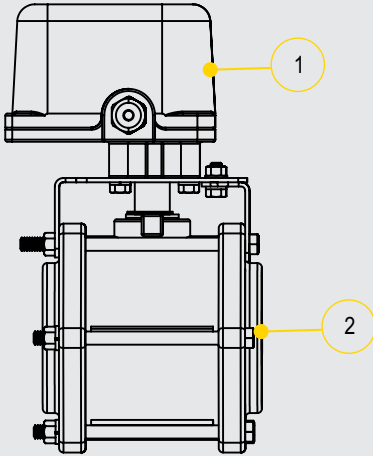
3" FULL PORT THREADED

FEATURES

- 316 stainless steel ball & stem
- Stainless steel hardware
- Fiberglass reinforced polypropylene
- PTFE seats
- FKM O-rings
- 12-volt DC operated
- 24-volt available in most models
- Easily repairable
- Open/closed indicator
- EV300FP has 3 second response
- EV300FP110 has 9 second response

REPAIR KIT INCLUDES:

- Stem with Seals
- Gasket
- Body O-Rings
- Ball Seats



3" FULL PORT ON/OFF ELECTRIC VALVE

PART NO	DESCRIPTION	MAX PSI	PIPE SIZE	OPENING THRU BALL	QTY
EV300FP	3" FULL PORT ELECTRIC VALVE 3 WIRE	200	3"	3"	1

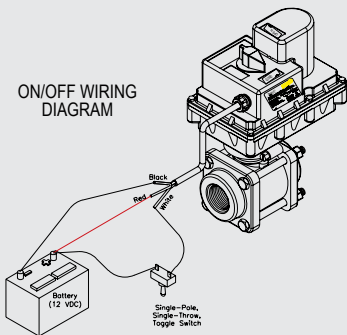
3" FULL PORT ON/OFF ELECTRIC VALVE

PART NO	DESCRIPTION	MAX PSI	PIPE SIZE	OPENING THRU BALL	QTY
EV300FP110	3" FULL PORT ELECTRIC VALVE WITH 110 VOLT AC 3 WIRE	200	3"	3"	1

REPLACEMENT PARTS

ITEM	PART NO	DESCRIPTION	QTY
1	VE5630	3 SECOND, 12 VDC MOTOR (EV300FP)	1
1	VE5793	9 SECOND, 110 VOLT AC MOTOR (EV300FP110)	1
2	EV300XR1A	3" ELECTRIC VALVE ONLY	1
KIT	EV35210	REPAIR KIT	1

ON/OFF WIRING DIAGRAM





EV075BL



EV075SL

3/4"-2" ON/OFF BOTTOM LOAD ELECTRIC VALVES

PART NO	DESCRIPTION	MAX PSI	PIPE SIZE	OPENING THRU BALL	QTY
EV075BL	3/4" FULL PORT BOTTOM LOAD ELECTRIC VALVE	300	3/4"	1"	1
EV100BL	1" BOTTOM LOAD ELECTRIC VALVE	300	1"	1"	1
EV150BL	1 1/2" BOTTOM LOAD ELECTRIC VALVE	225	1 1/2"	1 1/2"	1
EV200BL	2" BOTTOM LOAD ELECTRIC VALVE	225	2"	1 1/2"	1

3/4"-2" ON/OFF SIDE LOAD ELECTRIC VALVES

PART NO	DESCRIPTION	MAX PSI	PIPE SIZE	OPENING THRU BALL	QTY
EV075SL	3/4" FULL PORT SIDE LOAD ELECTRIC VALVE	300	3/4"	1"	1
EV100SL	1" SIDE LOAD ELECTRIC VALVE	300	1"	1"	1
EV150SL	1 1/2" SIDE LOAD ELECTRIC VALVE	300	1 1/2"	1 1/2"	1
EV200SL	2" SIDE LOAD ELECTRIC VALVE	300	2"	1 1/2"	1

REPLACEMENT PARTS

ITEM	PART NO	DESCRIPTION	QTY
1	EV075BLXR1	3/4" ELECTRIC VALVE SUB ASSEMBLY	1
1	EV100BLXR1	1" ELECTRIC VALVE SUB ASSEMBLY	1
1	EV150BLXR1	1 1/2" ELECTRIC VALVE SUB ASSEMBLY	1
1	EV200BLXR1	2" ELECTRIC VALVE SUB ASSEMBLY	1
1	EV075SLXR1	3/4" ELECTRIC VALVE SUB ASSEMBLY	1
1	EV100SLXR1	1" ELECTRIC VALVE SUB ASSEMBLY	1
1	EV150SLXR1	1 1/2" ELECTRIC VALVE SUB ASSEMBLY	1
1	EV200SLXR1	2" ELECTRIC VALVE SUB ASSEMBLY	1
2	MVE004	ELECTRIC VALVE FLANGE GASKET	1
3	FC100	1" FLANGE CLAMP	1
4	EV3300	3/4 SECOND 3 WIRE MOTOR ASSEMBLY (3/4"-1")	1
4	EV4300	1 1/4 SECOND 3 WIRE MOTOR ASSEMBLY (1 1/2"-2")	1
KIT	EV10210	REPAIR KIT (3/4"-1")	1
KIT	EV20210	REPAIR KIT (1 1/2"-2")	1

Note: 3 way regulating valves are not shown but contact our sales team for part number and availability of valves.

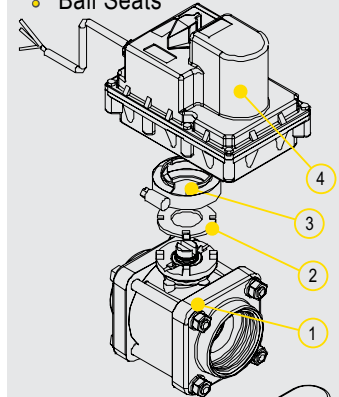
3/4" - 2" 3 WAY

FEATURES

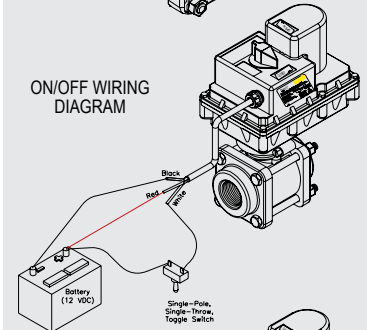
- 316 stainless steel ball & stem
- Stainless steel hardware
- Fiberglass reinforced polypropylene
- PTFE seats
- EPDM O-rings
- 12-volt DC operated
- 24-volt available in most models
- Easily repairable
- Open/closed indicator
- 3/4 second response for 3/4"-1"
- 1 1/4 second response for 1 1/2"-2"
- Directional flow right or left and cannot be turned off

REPAIR KIT INCLUDES:

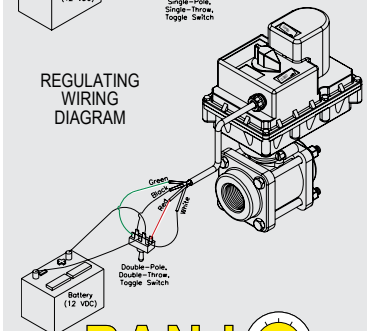
- Stem with Seals
- Gasket
- Body O-Rings
- Ball Seats



ON/OFF WIRING DIAGRAM



REGULATING WIRING DIAGRAM



2" FULL PORT 3 WAY

FEATURES

- 316 stainless steel ball & stem
- Stainless steel hardware
- Fiberglass reinforced polypropylene
- PTFE seats
- 12-volt DC operated
- Easily repairable
- Open/closed indicator
- 1¼ second response time

REPAIR KIT INCLUDES:

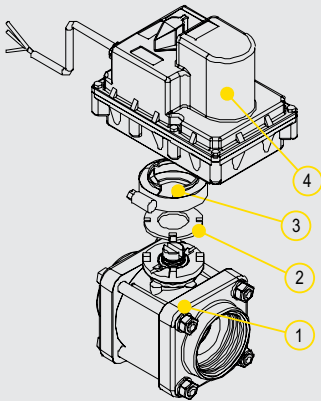
- Stem with Seals
- Gasket
- Body O-Rings
- Ball Seats



EV204BLFP



EV204SLFP



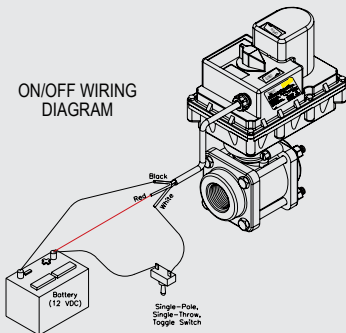
2" FULL PORT ON/OFF BOTTOM LOAD ELECTRIC VALVES

PART NO	DESCRIPTION	MAX PSI	PIPE SIZE	OPENING THRU BALL	QTY
EV204BLFP	2" BOTTOM LOAD ELECTRIC VALVE	200	2"	2"	1

2" FULL PORT ON/OFF SIDE LOAD ELECTRIC VALVES

PART NO	DESCRIPTION	MAX PSI	PIPE SIZE	OPENING THRU BALL	QTY
EV204SLFP	2" SIDE LOAD ELECTRIC VALVE	150	2"	2"	1

ON/OFF WIRING DIAGRAM



REPLACEMENT PARTS

ITEM	PART NO	DESCRIPTION	QTY
1	EV204BLXR1	2" FULL PORT ELECTRIC VALVE SUB ASSEMBLY	1
1	EV204SLXR1	2" FULL PORT ELECTRIC VALVE SUB ASSEMBLY	1
2	MVE004	ELECTRIC VALVE FLANGE GASKET	1
3	FC100	1" FLANGE CLAMP	1
4	EV4300	1¼ SECOND 3 WIRE MOTOR ASSEMBLY	1
KIT	EV25210	REPAIR KIT	1

Note: 3 way regulating valves are not shown but contact our sales team for part number and availability of valves.