

GPU type GB60/20

Ground Power Unit type GB60/20
60kVA – 115/200V - 400Hz
28V_{DC} - 700A – 2000A



Simply

- ➔ Compact
- ➔ Light
- ➔ Performant
- ➔ Economical
- ➔ AC + DC outputs

Characteristics

AC output

Rated Power	60kVA at power factor 0,8
Voltage	115/200V three phases + neutral
Voltage regulation	± 1%
Voltage transient	±3V <200ms, under load impact 0-80% or 80%-0
Frequency	400 Hz
Frequency regulation	± 1Hz
Frequency transient	±10Hz < 2s, under load impact 0-80% or 80%-0

DC output

Rated Power	20kW
Permanent current	700A
Peak current	2000A during 3s
Voltage	28,5V _{DC}
Voltage regulation	± 0,5V _{DC}



GUINAULT SA
PAOS La Saussaye
F - 45590 Saint-Cyr en Val
Tél : +33 (0) 2 38 63 84 00
Fax : +33 (0) 2 38 69 66 22
www.guinault.com



Engine

- Deutz type BF4L2011
- Turbo diesel,
- Integrated oil-cooling
- Speed: 2667 rpm
- Electronic speed regulator
- Batteries: 2 x 12V-50Ah

Bi-Alternator

- Guinault type AB180
- 400Hz, 115/200V + 28V
- 18 poles, brushless
- Electronic voltage regulator Guinault type RS654

Safeties

Electrical

- Over Voltage
- Under Voltage
- Over Frequency
- Under Frequency
- Over Load

Engine

- High Temperature
- Low Oil Pressure
- Air Filter Clogging
- Battery charging default
- Over Speed

Outputs

- 1 AC output 115/200V-400Hz, length 10 m. + socket ISO461 / Stanag 3303
- 1 DC output 28V_{DC}, length 10 m. + socket ISO461 / Stanag 3302

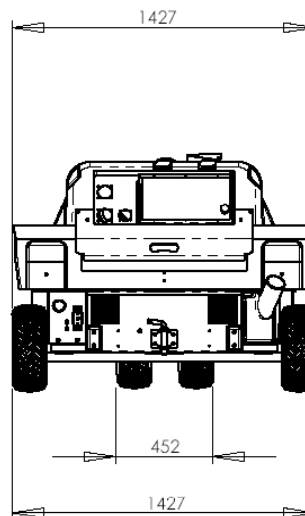
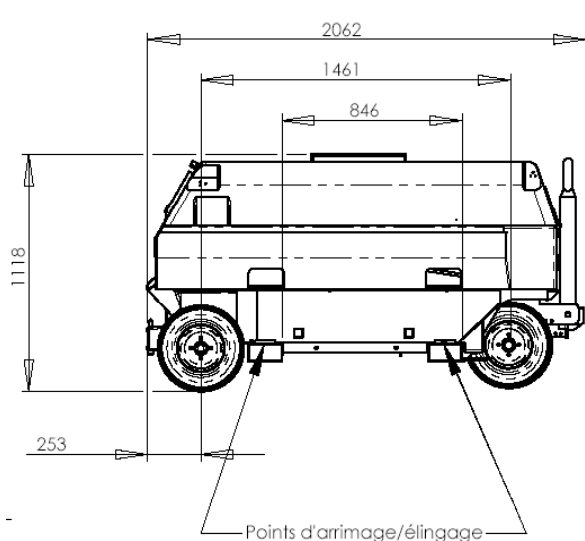
Main assembly

- Steel frame, anti-corrosion coating
- Polyester canopy
- Leading front axle with ball bearing
- Automatic braking when tow-bar is raised or lowered
- Inflate tyres 16.5x6.5-8
- Cables compartments on each side of the unit
- Fuel tank 70 litres

Options

- Second 115/200V-400Hz output
- 400Hz single phase output
- Antiflash device on 28V_{DC} output,
- Cold start aid,
- Mounting on pick up...
- 28Vdc current limitation

Dimensions



Weight: 1260 kg



PAOS La Saussaye
 F - 45590 Saint-Cyr en Val
 Tél : +33 (0) 2 38 63 84 00
 Fax : +33 (0) 2 38 69 66 22

info@guinault.com