



SXL44



TYPICAL APPLICATIONS Steam cleaners

FUNCTIONS

- SPST, momentary or not
- SPST, illuminated or not
- DPST, momentary or not
- DPST, illuminated or not

PROTECTION DEGREE IP 65

CYCLE No. 50.000

CUT OUT 19x13 mm

AMBIENT TEMPERATURE 125 °C

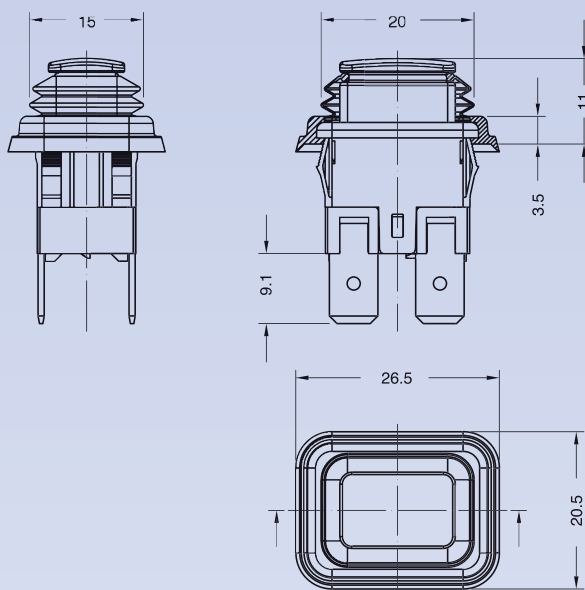
GWT 850 °C

GWT NO FLAME (<2sec) 750 °C

S X L 4 4

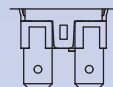
?

DRAWING

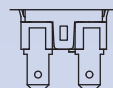


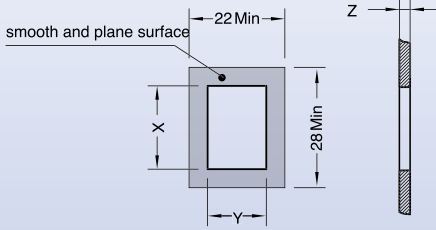
TERMINAL

1 Terminal 6.3x0.8



2 Terminal 4.8x0.8





Z	Y	X
0,5 ... 1,2	12,9 ^{+0,1} / ₀	19,0 ^{+0,2} / ₀
1,2 ... 2,0	12,9 ^{+0,1} / ₀	19,3 ^{+0,2} / ₀

S	X	L	4	4	TERMINAL	FUNCTION	RATING	RUBBER COLOUR	BUTTON COLOUR	MARKING COLOUR	MARKING	0	0	W

?	?	?	?	?	?	?	0	0	W
---	---	---	---	---	---	---	---	---	---

FUNCTION RATING RUBBER COLOUR BUTTON COLOUR MARKING COLOUR MARKING

1

2

4

6

7

8

R

H

16 (4) / 250 VAC
 10 (6) / 250 VAC - 5E4
 T125 / 55 °C
 EN 61058

16A - 3/4 HP
 125 / 250 VAC
 T 100 °C
 UL 1054

1 black

2 white

R red

M white

N black

ILLUMINATED ✨

G red

H orange

E green

L white

F blue

X ? custom

0 none

1 black

2 white

X ? custom

0

1

R

X