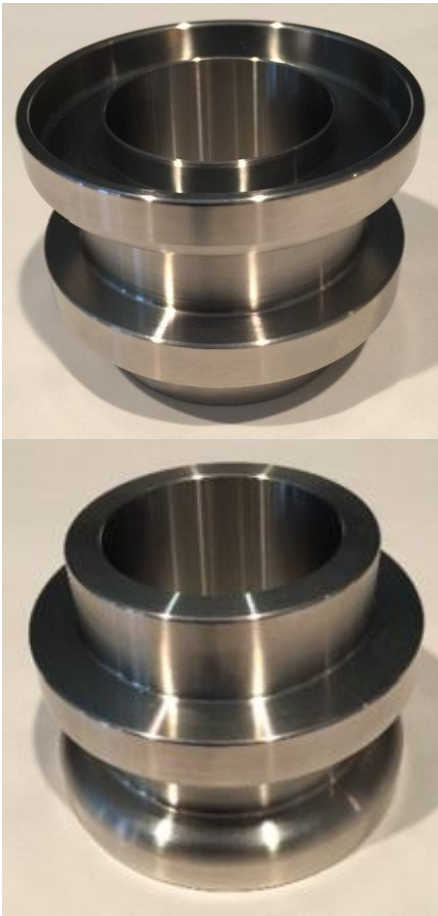
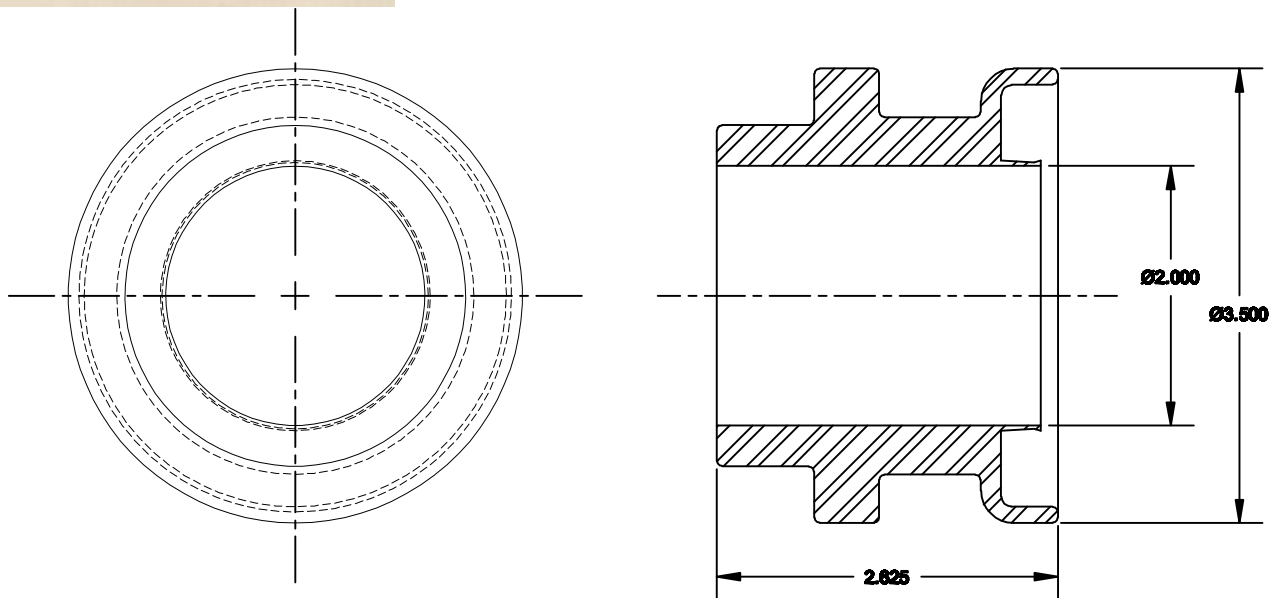


**P/N: L15047**

## **2" Billet Stainless Steel Cylinder**



- Direct fit replacement for Belshaw #MDDSS-2.
- Precision CNC machined from a solid T-304 stainless steel billet.
- Fully machined inside and out for a clean and smooth finish.
- One-piece design is tougher, harder, and stronger than the two-piece OEM design.
- Each cylinder is 100% inspected before shipment.



# **LANCO PRECISION, LLC**

MECHANICAL DESIGN - ENGINEERING - PROTOTYPING - ANALYSIS - CONSULTING - MANUFACTURING & INDUSTRIAL SUPPORT

LAKE VILLA, IL 60046 - ANTIOCH, IL 60002

P: 847-508-6774

SALES@LANCOPRECISION.COM

