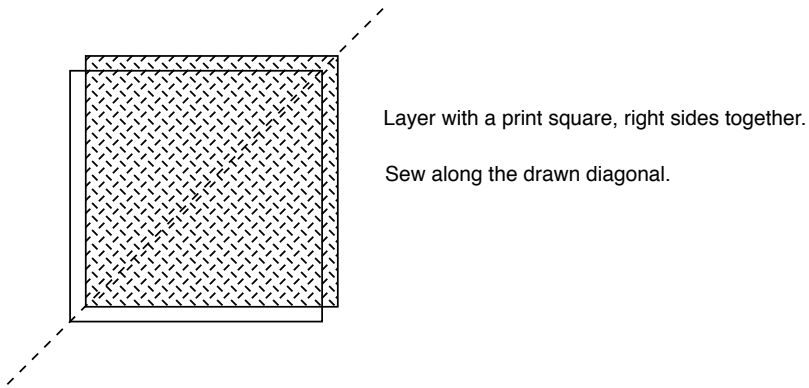
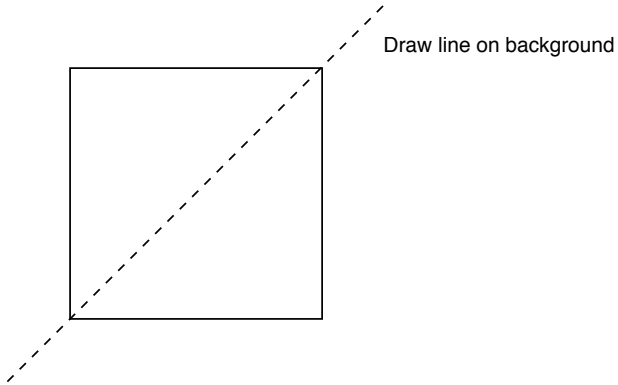


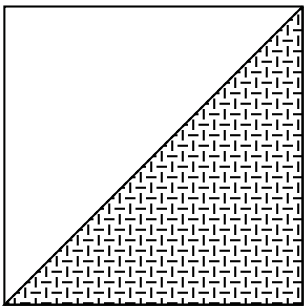
Peninsula Piecemakers Winter Mystery 2018 **Part 1**

Make **160** half square triangles.

Take **160** background 2 1/2" squares and draw diagonals on the back.



Cut 1/4" from the diagonal on one side, press to the print. In total you need **160** half square triangles.



If you have any questions please email me at: ppqgmystery2018@icloud.com