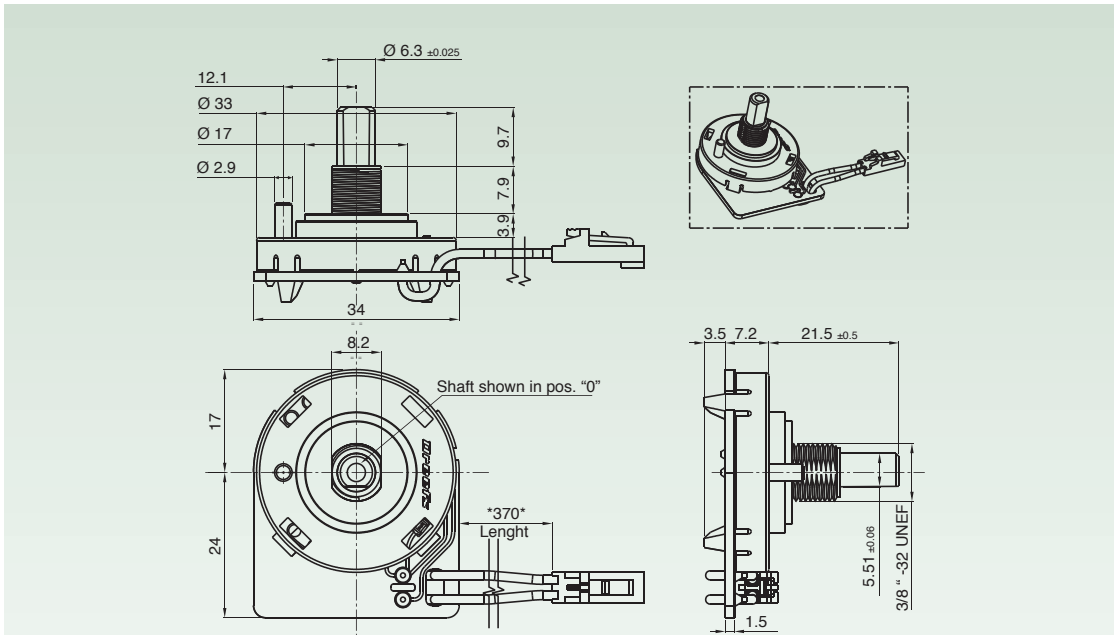


CV

CV1

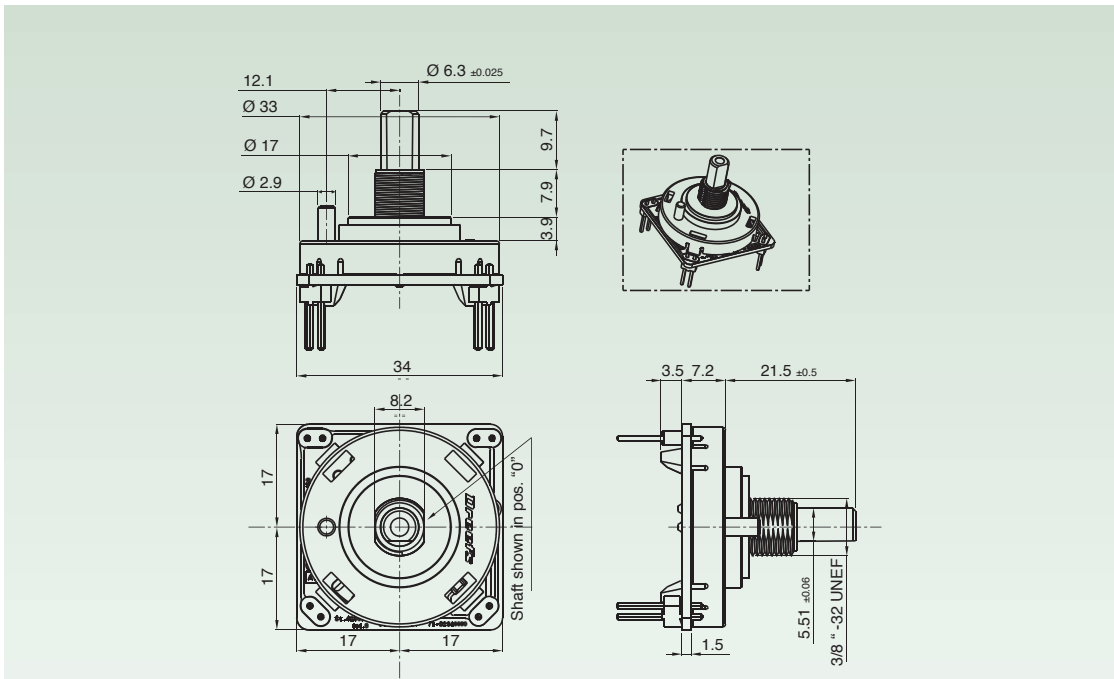


CODI	FIXING TYPE	H SHAFT (mm)	NUMBER OF POSITIONS
CS	Threaded ring	■ 9,7	■ 6 P + 180° free rotation



MF encoder, standard body version with snap in fixing type.

CV2



MF encoder, standard body version with snap in fixing type.