



# SP60

**TYPICAL APPLICATIONS** Vacuum and steam cleaners

**FUNCTIONS**

- SPST, momentary or not
- SPST, illuminated or not
- DPST, illuminated or not

**CYCLE No.** 50.000

**CUT OUT**  $\varnothing$  25 mm

**AMBIENT TEMPERATURE** 120 °C

**GWT** 850 °C

**GWT NO FLAME (<2sec)** 750 °C on demand



S P 6 0

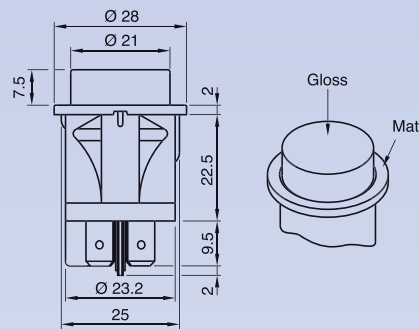
?

## DRAWING

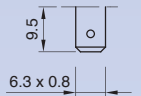
## TERMINAL



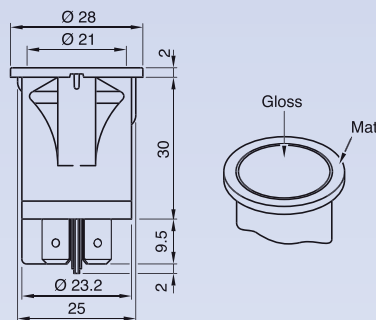
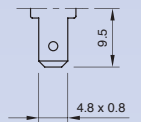
WATERPROOF CAP



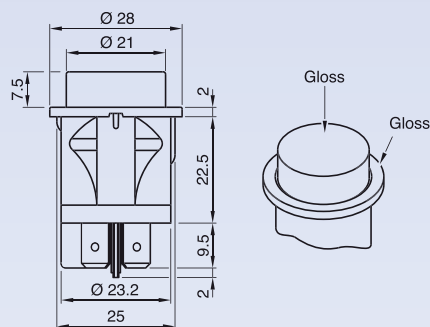
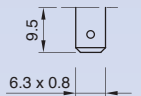
1



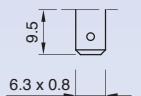
A



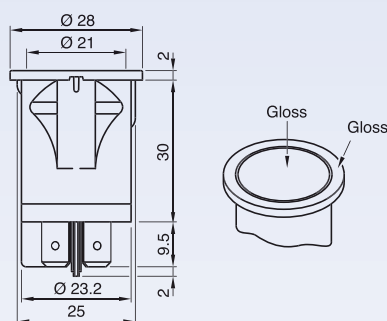
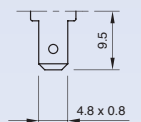
2



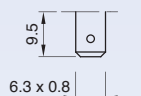
4

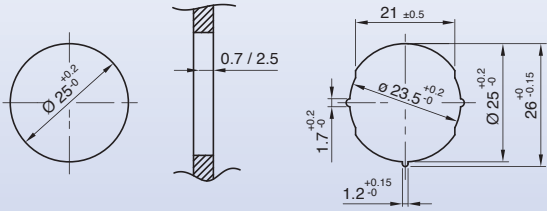


D



5





S	P	6	0	TERMINAL	FUNCTION	RATING	BODY COLOUR	BUTTON COLOUR	MARKING COLOUR	MARKING	0	0
---	---	---	---	----------	----------	--------	-------------	---------------	----------------	---------	---	---

?	?	?	?	?	?	?	?
FUNCTION	RATING	BODY COLOUR	BUTTON COLOUR	MARKING COLOUR	MARKING	0	0
<p><b>1</b></p>	<p><b>7</b></p> <p>16 (6) A / 250 VAC 10 (4) 250 V - 5E4 10 (4) A / 400 VAC T120/55 °C EN 61058</p> <p>16 A - 125 / 250 VAC 1/4 HP / 125 VAC 1/2 HP / 250 VAC T95 °C UL 1054</p>	<p><b>1</b> </p> <p>black</p> <p><b>2</b> </p> <p>white</p> <p><b>X</b> </p> <p>custom</p>	<p><b>M</b> </p> <p>white</p> <p><b>N</b> </p> <p>black</p> <p><b>R</b> </p> <p>red</p> <p>ILLUMINATED ✨</p> <p><b>G</b> </p> <p>red</p> <p><b>H</b> </p> <p>orange</p> <p><b>E</b> </p> <p>green</p> <p><b>L</b> </p> <p>white</p> <p><b>X</b> </p> <p>custom</p> <p>No lens</p> <p><b>0</b> </p>	<p><b>0</b> </p> <p>none</p> <p><b>1</b> </p> <p>black</p> <p><b>2</b> </p> <p>white</p> <p><b>X</b> </p> <p>custom</p>	<p><b>0</b></p> <p><b>7</b></p> <p><b>D</b></p> <p><b>E</b></p> <p><b>K</b></p> <p><b>X</b></p>	0	0
<p><b>2</b></p>	<p><b>C</b></p> <p>16 (6) A / 250 VAC 10 (4) 250 V - 5E4 10 (4) A / 400 VAC T120/55 °C EN 61058</p>						
<p><b>4</b></p>							
<p><b>6</b></p>							
<p><b>8</b></p>							

# ACCESSORIES



SP60T1N0000



SP60T1M0000



SP60T1G0000



SP60T1E0000

Other colours available on demand.