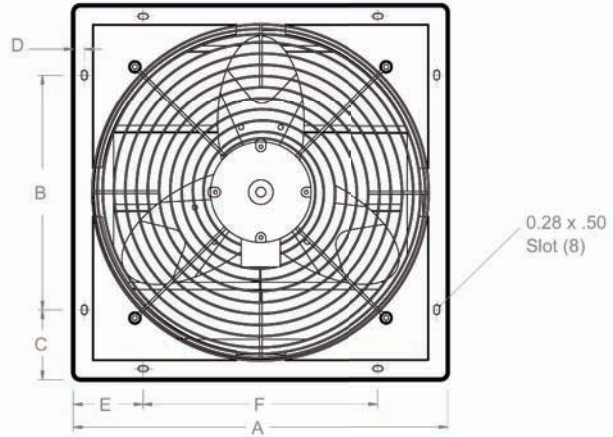
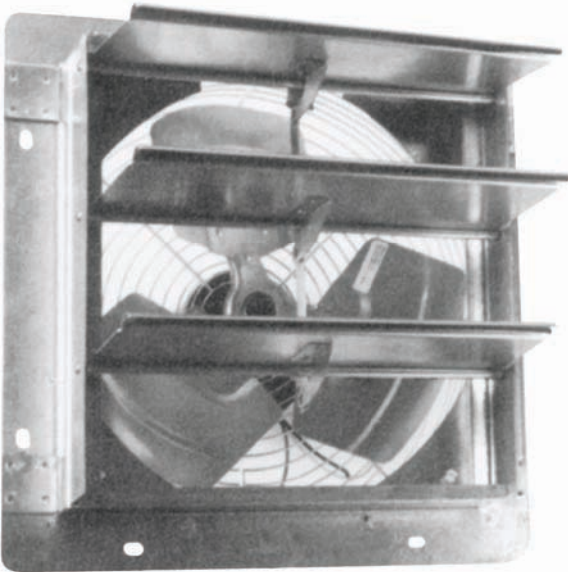


# FEPRSM Integral Shutter-Direct Drive

## Propeller Wall Mount Exhaust Fans



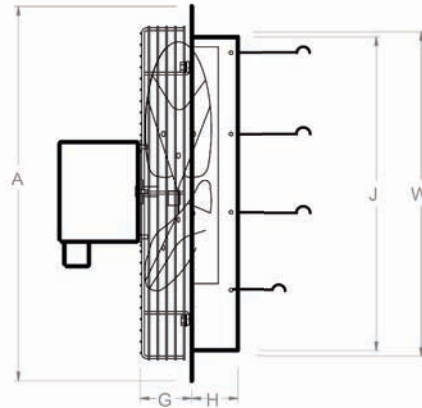
### Features & Benefits

- OSHA rear guard standard
- Totally enclosed 115 volt motor
- Built in shutter
- Completely assembled for easy installation

### Certifications



Models FEPRSM7 thru FEPRSM24 are UL Listed and are in compliance with UL 705 (Electrical) Standards.



### Measurements

MODEL	A	B	C	D	E	F	G	H	J	Wall Opening	Weight Lbs
FEPRSM7	11 1/8	4	3 9/16	9/16	3 9/16	4	8	2 3/8	8	8 1/2	9
FEPRSM10	13 1/8	6	3 9/16	9/16	3 9/16	6	8	2 3/8	10	10 1/2	10
FEPRSM12	15 1/8	8	3 9/16	9/16	3 9/16	8	8	2 3/8	12	13	12
FEPRSM16	19 1/8	12	3 9/16	9/16	3 9/16	12	9	2 3/8	16	17	15
FEPRSM18	21 1/8	14	3 9/16	9/16	3 9/16	14	11 7/8	3	18	18 1/2	19
FEPRSM24	27 1/8	20	3 9/16	9/16	3 9/16	20	12 5/8	3	24	25	60

**Performance**

Static Pressure in Inches W.G.

MODEL	RPM	Tip Speed	Motor HP	0.00 CFM	0.025 CFM	0.050 CFM	0.075 CFM	0.100 CFM	0.125 CFM	0.150 CFM	0.175 CFM	0.200 CFM	0.225 CFM	0.250 CFM
<b>FEPRSM7</b>	1730	3170	1/30	121	111	98	90	84	62					
<b>FEPRSM10</b>	1550	4058	1/30	610	533	421	390	357	318	247	266			
<b>FEPRSM12</b>	1550	4869	1/30	815	763	708	653	587	501	419	317			
<b>FEPRSM16</b>	1525	6388	1/20	1216	1120	1033	953	881	765					
<b>FEPRSM18</b>	1075	5066	1/15	1876	1684	1554	1323	949	751	636	509			
<b>FEPRSM24</b>	1075	6754	1/4	3212	2876	2675	2444	2198	2015	1832	1649	1444	1233	1027