



A7

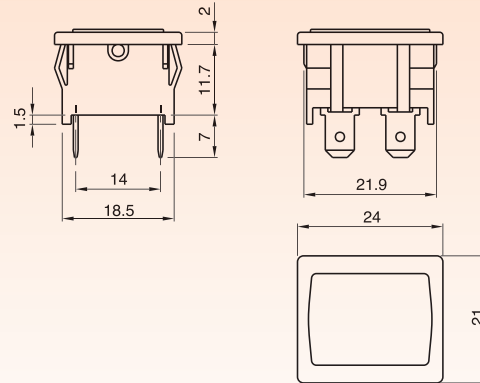
FUNCTION	Indicator light A4 series
AMBIENT TEMPERATURE	125 °C
GWT	850 °C
GWT NO FLAME (<2sec)	650 °C



A

7

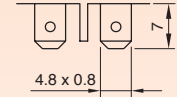
DRAWING

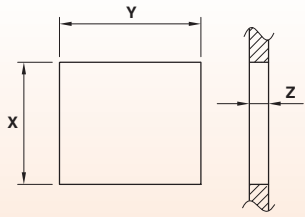


?

TERMINAL

1





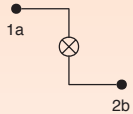
Z	Y	X
0,7 ... 1,25	22,0 ±0,1	19,0 ±0,2
1,25 ... 2,0	22,0 ±0,1	19,3 ±0,2
2,0 ... 3,0	22,0 ±0,1	19,6 ±0,2

		TERMINAL	FUNCTION	RATING	BODY COLOR	LENS COLOR					
A	7						0	0	0	0	0

?

FUNCTION

1



?

RATING

2

200 - 250 VAC
T125 °C
VDE 710

200 - 250 VAC
T65 °C
UL 496
CSA C22.2

?

BODY COLOR

1

black

X

custom

?

?

LENS COLOR

ILLUMINATED ✨

G

red

H

orange

E

green

X

custom

?

?

0	0	0	0	0
---	---	---	---	---