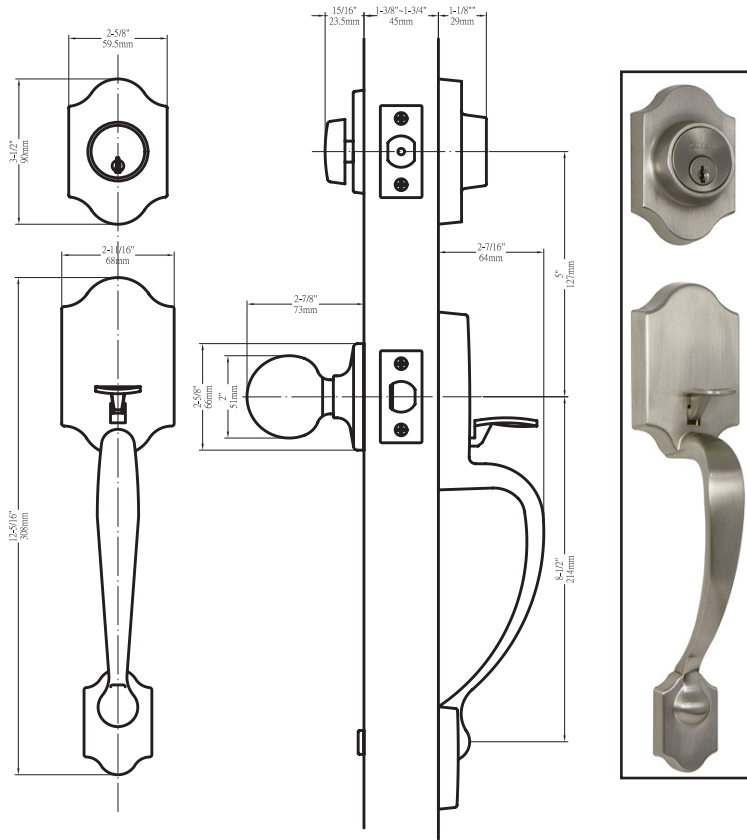


CHATHAM®

Old World Quality New Age Design



DIMENSIONS



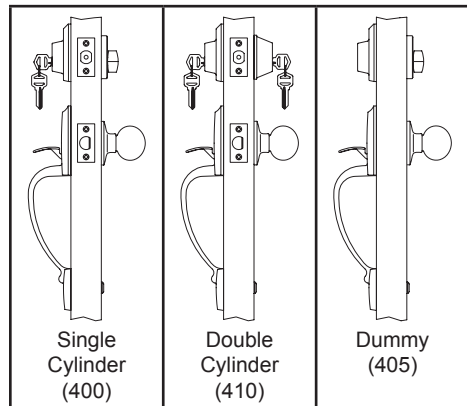
STANDARD SPECIFICATIONS

Door Prep	Deadbolt cross bore: 2-1/8" Handleset cross bore: 2-1/8" Edge bore: 1" Latch face: 1" x 2-1/4" Mounting bore distance (center to center): 5" - 5 1/2" recommended
Backset	Fits 2-3/8" and 2-3/4"
Door Thickness	1-3/8" ~ 1-3/4" door standard
Cylinder	KW1 5-pin standard; SC1 5-pin optional Handlesets packed KD
Latches	Upper: 2-3/8" and 2-3/4" adjustable (9092) Faceplate: 1" x 2-1/4" round corner Bolt: 1" Bolt with hardened steel rod Lower: 2-3/8" and 2-3/4" adjustable (9074) (for lever and knob) Faceplate: 1" x 2-1/4" round corner Bolt: Solid brass 1/2" throw
Strikes	Deadbolt: 2-1/4" full lip round corner (9113 & 9117) Thumbpiece: 2-1/4" full lip round corner (9103)
Wood Screws	Combination screws that suit both wood or metal door mounting
Door Handing	Specify handing when ordering lever as interior option

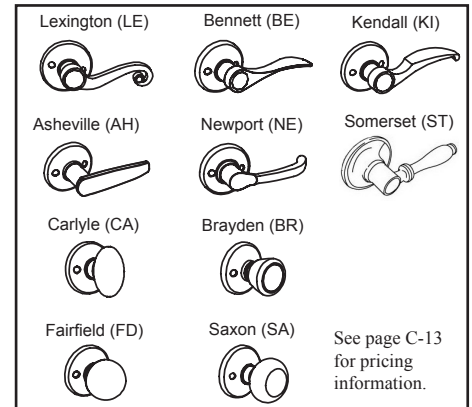
PRICING *Handleset Pricing includes Interior Knob or Lever. Specify when ordering.

Model	Function	WT/CTN	CTN QTY		US3 Bright Brass	US15 Satin Nickel	US15A Antique Nickel	US10B Oil Rubbed Bronze	US10BE Edged Bronze	Black	Antique Silver
400-CT	Single Cylinder	33 Lbs	10 Pcs	Item No.	KA6003	KA6001	KA6008	KA6000	KA6007	KA6004	KA6002
				List Price							
405-CT	Dummy	30 Lbs	10 Pcs	Item No.	KA6053	KA6051	KA6058	KA6050	KA6057	KA6054	KA6052
				List Price							
410-CT	Double Cylinder	35 Lbs	10 Pcs	Item No.	KA6103	KA6101	KA6108	KA6100	KA6107	KA6104	KA6102
				List Price							

FUNCTIONS



INTERIOR OPTIONS



THE DELANEY CO.

Copyright © THE DELANEY CO. All rights reserved.