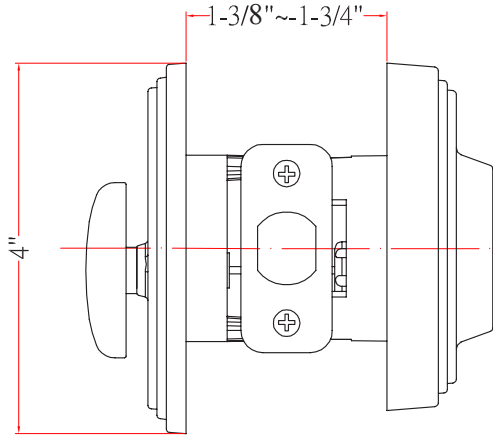


# DEADBOLTS

## ITALIAN COLLECTION

DELANEY  
*Designer Series™*

### DIMENSIONS



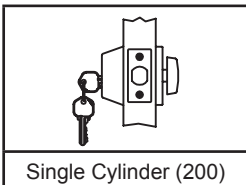
### STANDARD SPECIFICATIONS

<b>Door Prep</b>	Cross bore: 2-1/8" Edge bore: 1" Latch face: 1" x 2-1/4"	<b>Latches</b>	Deadbolt: 2-3/8" & 2-3/4" adjustable (C9098 R/S) Faceplate: 1" x 2-1/4" Rd. & Sq. corner Bolt: 1" throw with hardened steel rod
<b>Backset</b>	Fits 2-3/8" and 2-3/4"	<b>Strikes</b>	2-1/4" full lip Rd. & Sq. corner (9118 R&S) Includes Reinforcement Strike.
<b>Door Thickness</b>	1-3/8" ~ 1-3/4" door standard, 2-1/4" Ext. Kit available	<b>Wood Screws</b>	Combination screws that suit both wood or metal door mounting Includes 3" Security Screws
<b>Cylinder</b>	SC1 5-pin <b>standard</b> ; KW1 5-pin optional Deadbolts packed KA5	<b>Features</b>	<ul style="list-style-type: none"> <li>Protective collar</li> <li>High Security Strike Plate</li> <li>Interlocking installation guides</li> <li>Reinforced spring assembly</li> </ul>

### PRICING

Model	Function	WT/CTN	CTN QTY		US15 Satin Nickel	US10BE Edged Bronze	BL Black
200S	Single Cylinder	21 Lbs	10 Pcs	Item No.	372001	372007	372004
				List Price			
	Turn Button Only			Item No.	327200	372201	372202
				List Price			

### FUNCTIONS



### 2-1/4" EXTENSION KITS

Item No:	Finish	List Price
377955	US15	
377956	US10BE/Black	